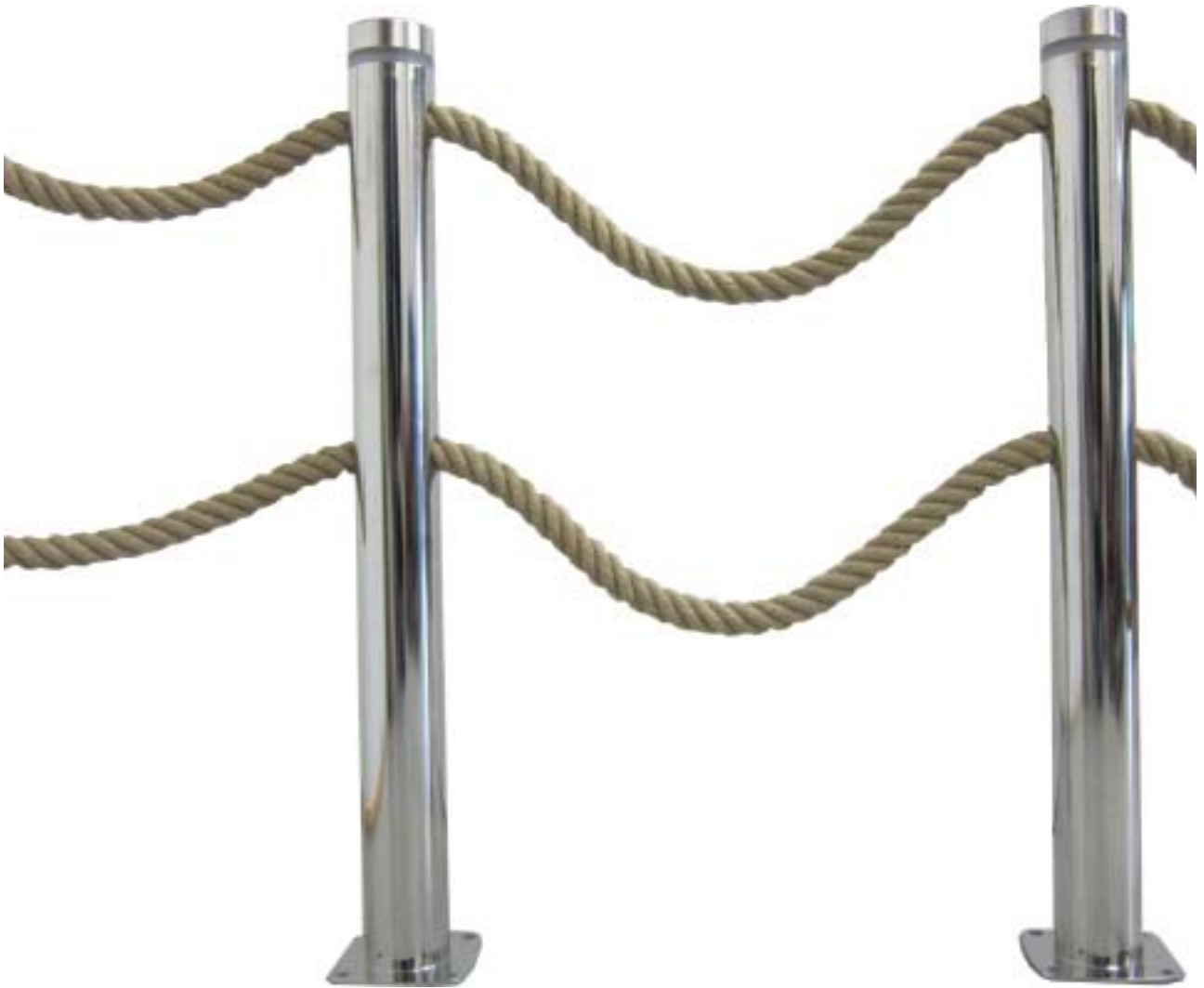


Led-Stanchion Jalanti

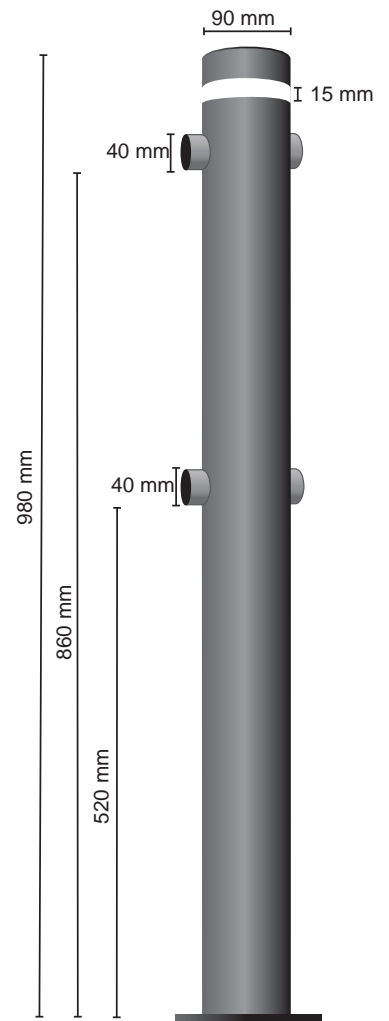
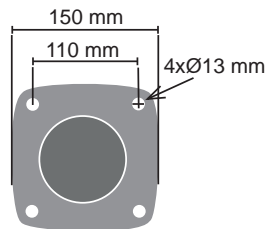


We reserve the right
to make changes to
our products.

Candee L.

Made in Finland
www.candeeeffect.com

Led-Stanchion Jalanti



Frame	Acid resistant 316L stainless steel
Input voltage	12 - 24 VDC
Current consumption	0,2 A - 0,1 A
Operating temperature	- 40 °C - + 60 °C
Life time	100.000 h with a 30% decrease in luminous flux
Warranty	Light unit: 6 years
Weight	6,1 kg



	Luminous flux of the light source
4000K	180 lm

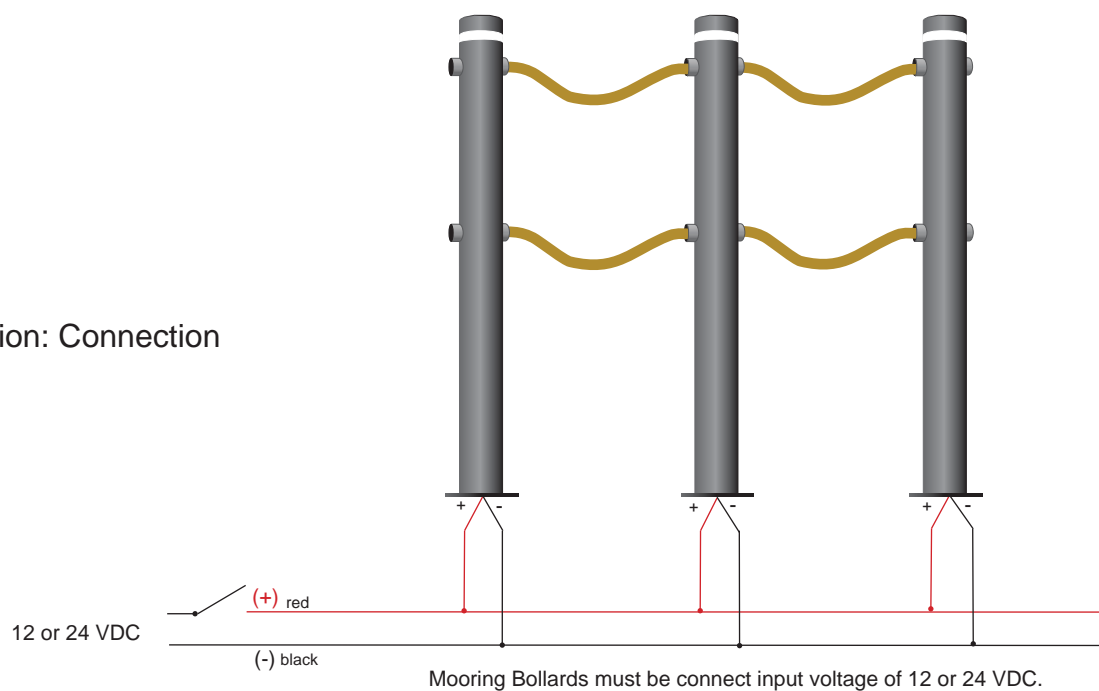
Led-stanchion "Jalanti"

Product code	Name	W	K	Led
CEL140 261 250 JAL	Led-stanchion Jalanti	2,5	4000	Rebel

Spare part: Jalanti

CEL340 261 2B0 L800	Led light module Jalanti (wire lenght = 800 mm)	2,5	4000K (NW)	2 x Rebel

Led-stanchion: Connection



Manufacturer:
Savled /Diranet Oy
Laitaatsillantie 3
57170 SAVONLINNA
FINLAND
Tel. +358 15 555 0031

Made in Finland

www.candeeffect.com

Candee E.

We reserve the right
to make changes to
our products.