

LED Marine lighting

Spots



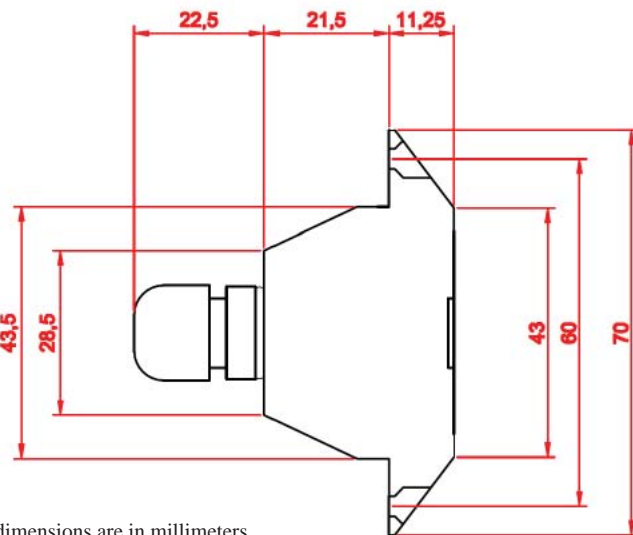
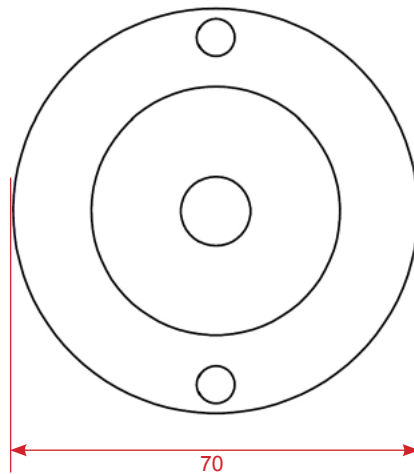
We reserve the right
to make changes to
our products.

Candeo L.

Made in Finland
www.candeeffect.com



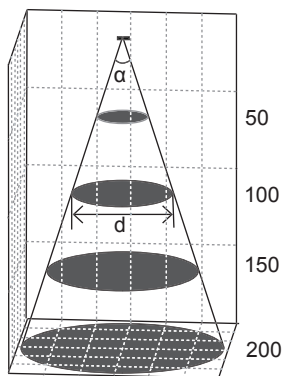
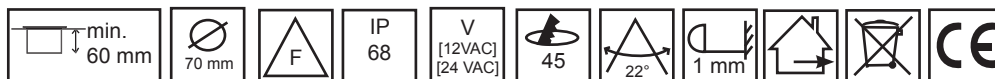
Hiisi



All dimensions are in millimeters.



Frame	Anodised aluminum
Input voltage	12 or 24 VAC
Current consumption	0,13 A or 0,065 A
Operating temperature	-40 °C - + 60 °C
Life time	100.000 h with a 30% decrease in luminous flux
Warranty	Light unit: 6 years
Weight	0,180 kg



4000K (Neutral White)	Beam angle 22 °	CRI > 80
Distance (cm)	Illuminance maximum (lx)	Beam width (d)
50 cm	1475	19 cm
100 cm	355	38 cm
150 cm	155	59 cm
200 cm	85	78 cm

	Luminous flux of the light source
4000K	110 lm

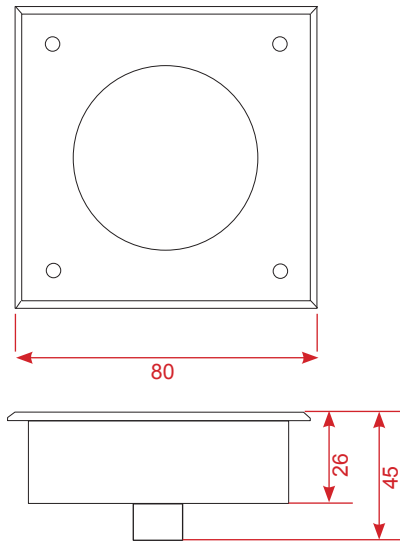
Led Spot

LedSpot 70 module "Hiisi"

Product code	Model	Frame	Colour	W	K	Led
CEL110 306 171	LedSpot 70 WW	Anodised Aluminum	Warm White	1,56	2700 K	1 x Rebel
CEL110 306 271	LedSpot 70 NW	Anodised Aluminum	Neutral White	1,56	4000 K	1 x Rebel
CEL110 306 371	LedSpot 70 CW	Anodised Aluminum	Cool White	1,56	5000 K	1 x Rebel
CEL110 306 471	LedSpot 70 Red	Anodised Aluminum	Red			1 x Rebel
CEL110 306 671	LedSpot 70 Blue	Anodised Aluminum	Blue			1 x Rebel
CEL110 306 571	LedSpot 70 Green	Anodised Aluminum	Green			1 x Rebel
CEL110 306 381	LedSpot 70 CW	Black	Cool White	1,56	5000 K	1 x Rebel
CEL110 306 281	LedSpot 70 NW	Black	Neutral White	1,56	4000 K	1 x Rebel



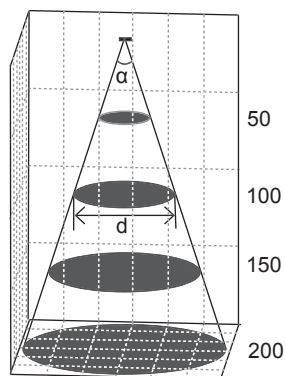
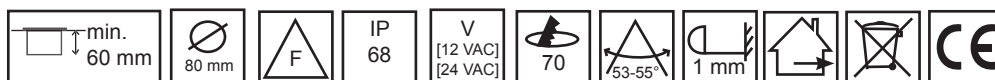
Kesseli



All dimensions are in millimeters.



Frame	Anodised aluminum
Input voltage	12 or 24 VAC
Current consumption	0,13 A or 0,065 A
Operating temperature	-40 °C - + 60 °C
Life time	100.000 h with a 30% decrease in luminous flux
Warranty	Light unit: 6 years
Weight	0,190 kg



2700K (Warm White)	Beam angle 53 °	CRI > 80
Distance (cm)	Illuminance maximum (lx)	Beam width (d)
50 cm	12	51 cm
100 cm	3,0	102 cm
150 cm	1,4	146 cm
200 cm	0,8	198 cm

4000K (Neutral White)	Beam angle 53 °	CRI > 80
Distance (cm)	Illuminance maximum (lx)	Beam width (d)
50 cm	14	52 cm
100 cm	3,5	103 cm
150 cm	1,6	146 cm
200 cm	0,9	199 cm

5000K (Cool White)	Beam angle 55 °	CRI > 80
Distance (cm)	Illuminance maximum (lx)	Beam width (d)
50 cm	22	54 cm
100 cm	5,8	102 cm
150 cm	2,6	156 cm
200 cm	1,6	207 cm

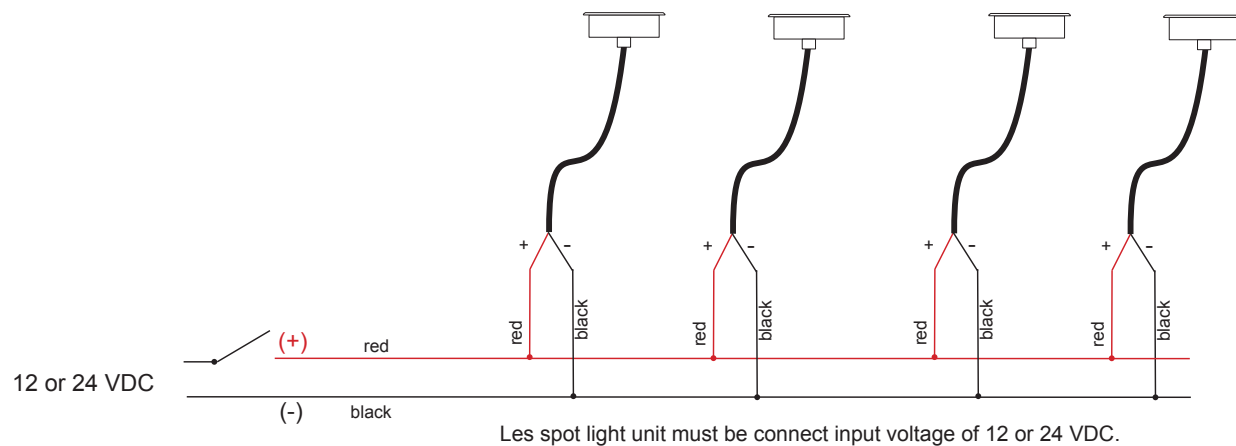
	Luminous flux of the light source
2700K	70 lm
4000K	80 lm
5000K	90 lm

Led Spot

LedSpot 80 Square recessed diffused light “ Kesseli”

Product code	Model	Frame	Colour	W	K	Led
CEL110 266 170	LedSpot 80 Square WW	Anodised Aluminum	Warm White	1,56	2700 K	1 x Rebel
CEL110 266 270	LedSpot 80 Square NW	Anodised Aluminum	Neutral White	1,56	4000 K	1 x Rebel
CEL110 266 370	LedSpot 80 Square CW	Anodised Aluminum	Cool White	1,56	5000 K	1 x Rebel

Led spot light: Connection





We reserve the right
to make changes to
our products.

Candelo

Made in Finland
www.candeeffect.com

Manufacturer:
Savled /Diranet Oy
Laitaatsillantie 3
57170 SAVONLINNA
FINLAND
Tel. +358 15 555 0031

Made in Finland

www.candeeffect.com

Candee E.

We reserve the right
to make changes to
our products.