



## BB Slimlight

-  Recyclable
-  CO2 reduction
-  Energy Efficiency
-  Vandal Resistant
-  Protection
-  Maintenance free
-  Recyclable Materials
-  LED Technology
-  Plug & play installation
-  DALI communication
-  Glare Free
-  Extreme long lifetime

### Product description

BB Slimlight is an elegant tubular LED luminaire, with a diameter of 70mm in polycarbonate with stainless steel endcaps. This luminaire is constructed in such a way that it has a high ingress protection and air-tightness, which makes it suitable for versatile applications. Dali compliant and standard available with plug & play connector OR flying lead.

Typical applications are public transport and general area lighting such as parking garages, metro, railway and bus stations, airports, technical rooms, etc. With outstanding features of IP69K, Gas corrosion proof (ammonia, chlorine etc.), Shatterproof (up to IK10), the BB Slimlight is also suitable for spaces that require frequent intensive cleaning with high pressure flush.

The specific light distributions make it possible to illuminate spaces in different ways.

### Specifications

Input voltage	220–240V
Frequency	50/60Hz
Power factor	0,98 (100%), 0,85 (20%)
Dim range	DALI I or II compliant
Driver lifetime	100.000 hours @ Ta 40°C
Insulation	Class I (Class II optional)
Operation temp.	-25°C ~ +40°C
Wiring	1,5mm <sup>2</sup> L, N,P, Da+, Da-

### Construction

Luminaire parts	Polycarbonate/extruded alu/stainless steel
Protector	diffused Polycarbonate tube Ø70
Power supply	internal LED driver
Fixing	Stainless steel 304
Connection	Plug & Play or flying lead or other in option
Light source	mid power LED plus (140mA)
LED lifetime	L80B10 = 100.000 hours
Light colour	4000K (3000 -5000K optional)
CRI	RA >80 (up to 92 optional)

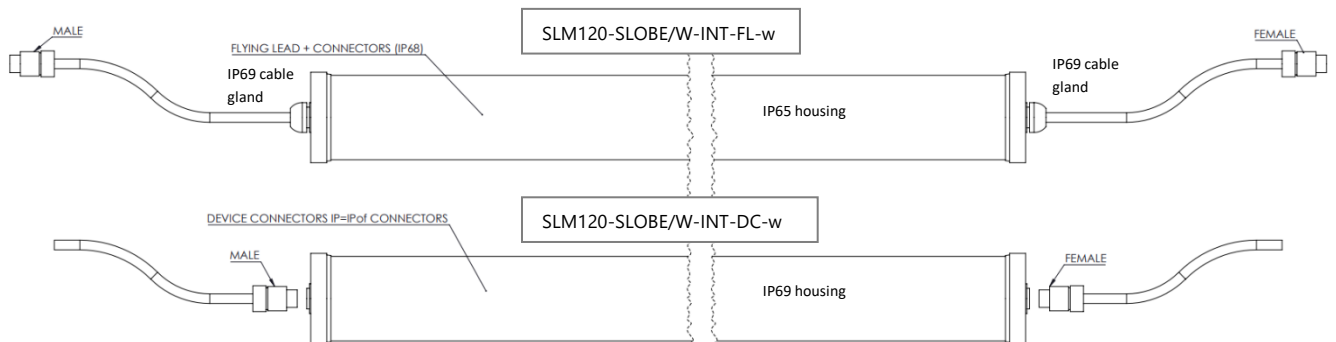
## Certifications

Protection class	IP69K flying lead version can stand 1450psi high pressure spray
	IP68 for plug&play connectors
Impact class	IK10
Standards	EN 60598-1, EN 60598-2-2, EN 55015, EN 61000-3-2
All wires	Low Smoke Zero Halogen
Material usage	Fully recyclable components
	Design following Cradle to Cradle concept
	ENEC approval in progress



*fixation detail*

## CONFIGURATIONS



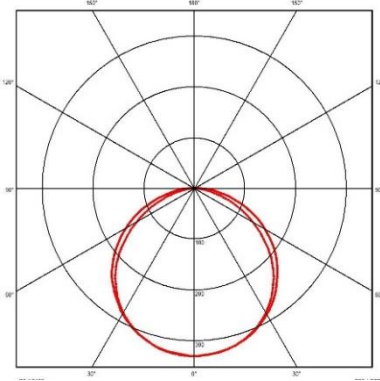
## Types and dimensions

Type	Length	Power	Weight	Lumen	Distribution
SLM120-SLOBE-INT-FL-w	120cm	25,5W	2kg	2926lm	Symmetrical
SLM120-SLOBW-INT-FL-w	120cm	25,5W	2kg	2926lm	Symmetrical
SLM120-SLOBE-INT-DC-w	120cm	25,5W	2kg	2926lm	Symmetrical
SLM120-SLOBW-INT-DC-w	120cm	25,5W	2kg	2926lm	Symmetrical

## Additional Parts

SL-EM module: emergency module with battery

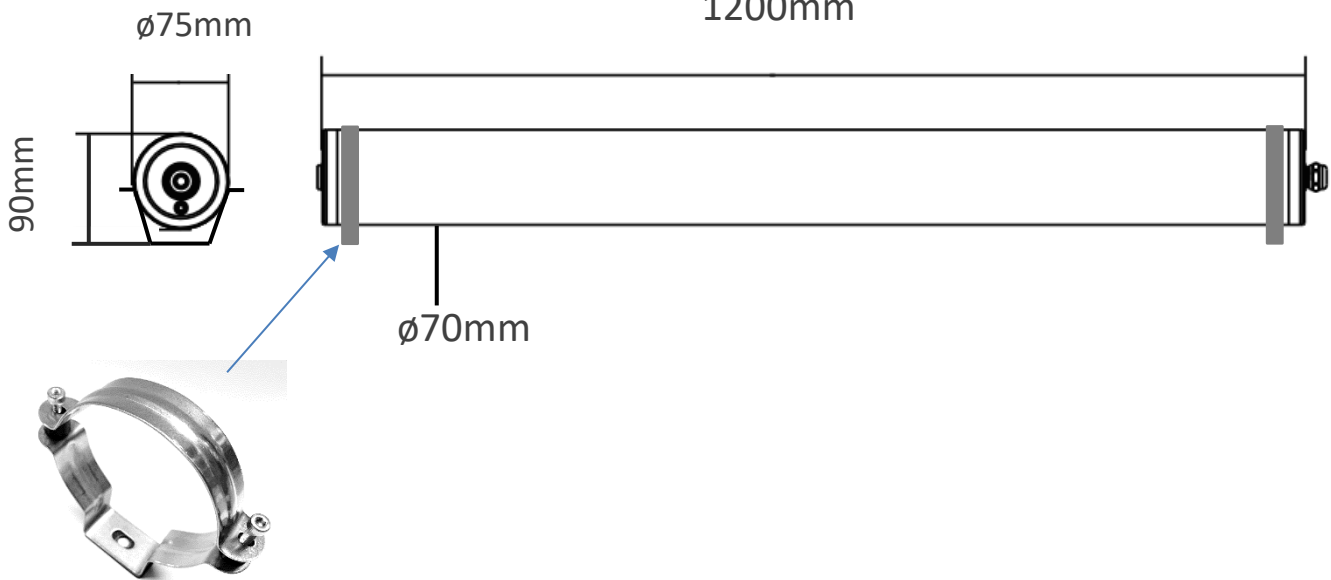
### Distribution Symmetrical



## General Dimensions

Profileview

Sideview



Fixation brackets Stainless steel 2x