

BB External Driver Box

-  **Recyclable**
-  **Vandal Resistant IK10**
-  **Recyclable Materials**
-  **DALI communication**
-  **CO2 reduction**
-  **Protection class IP66**
-  **LED Technology**
-  **Glare Free**
-  **Energy Efficiency**
-  **Maintenance free**
-  **Plug & play installation**
-  **Extreme long lifetime**

Product description

The BB E-Box is a detached driver housing for the BB Lightpipe EVO product range. Each Lightpipe can be equipped with an external driver box.

Although the lifespan is long, it can still be wise to place the LED driver externally. For example in tunnels, where the lighting is located above the roadway. Closure for maintenance of an important arterial road can cause a lot of inconvenience and be expensive. Other examples are metro and train stations near tracks with overhead lines or high production facilities with large machinery.

When installed externally, the LED driver is easily accessible for maintenance, replacement or programming adjustments.

Specifications

Input voltage	220 – 240 Vac
Frequency	50 / 60 Hz
Power factor	0,98 (100%)
Dim range	10 to 100% by DALI
Driver lifetime	100.000 hours
Insulation	Class I
Operation temp.	-25°C ~ +40°C
Wiring	Low Smoke Zero Halogen
Connection	Swivel standard (P&P connector optional)

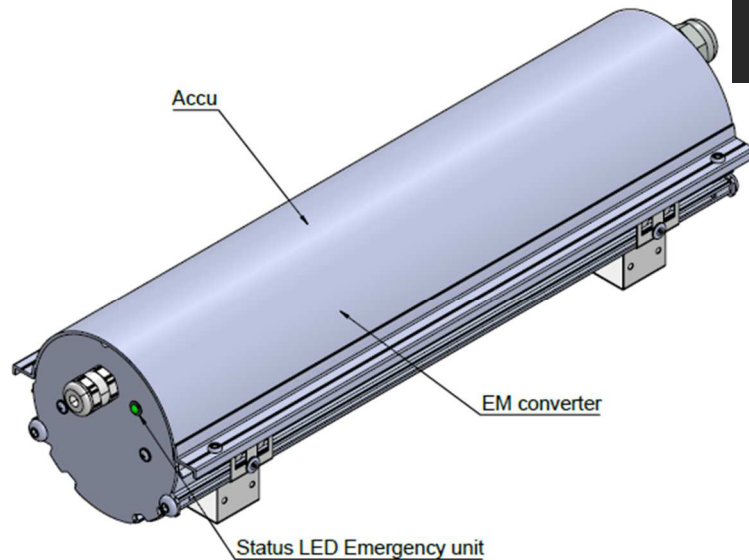
Construction

Materials	extruded anodized aluminium
Driver housing	100mm extruded anodized aluminium
Power supply	Outdoor LED driver
Protection class	IP66
Impact class	IK10+ (150 Joule)
Standards	EN 60598-1, EN 60598-2-2, EN 55015, EN 61000-3-2
Material usage	Fully recyclable components
Mounting	Stainless steel bracket

www.bblightpipe.com

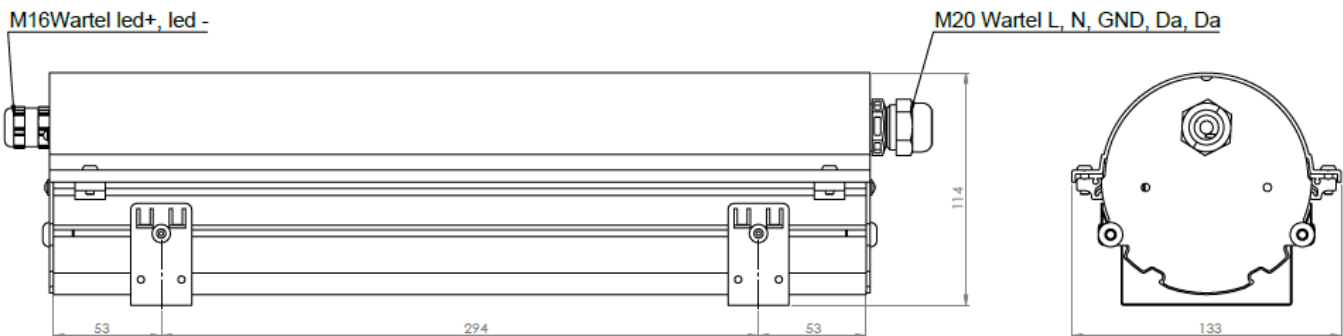
Types and Dimensions

Section	114 x 133 (height x width)
Length	304 mm or 404 mm
Connection	M20 swivel in M16 swivel out (LED circuit)



BB E-Box 404mm 75W / 150W

Power supply	Outdoor 75W or 150W LED Driver
Emergency Lighting optional	Battery and EM converter integrated, 60 min endurance



BB E-Box 304mm 40W

Power supply	Outdoor 40W LED Driver
Emergency Lighting optional	Battery and EM converter integrated, 60 min endurance

