




## BB Tunnellight EXT

-  Recyclable
-  Vandal Resistant IK10
-  Recyclable Materials
-  DALI communication
-  CO2 reduction
-  Protection class IP66
-  LED Technology
-  Glare Free
-  Energy Efficiency
-  Maintenance free
-  Plug & play installation
-  Extreme long lifetime

### Product description

The system includes a continuous light line made of polycarbonate tubes with internal and external aluminium component housing.

A parallel placed LED strip emits light into an impact-proof polycarbonate tube. With special reflector techniques the light is beamed at a specific angle to create an optimal light distribution for the application.

The specific light distribution (Wide, basic, narrow) makes it possible to illuminate spaces in different ways. This means the fixture is suited for tunnel, underpasses, pedestrian tunnels, bicycle tunnels, metro and train tunnels, or similar applications.

### Specifications

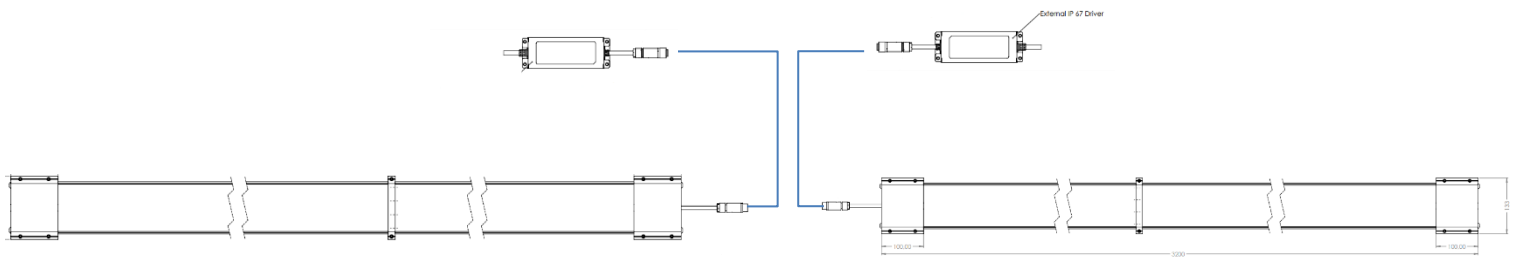
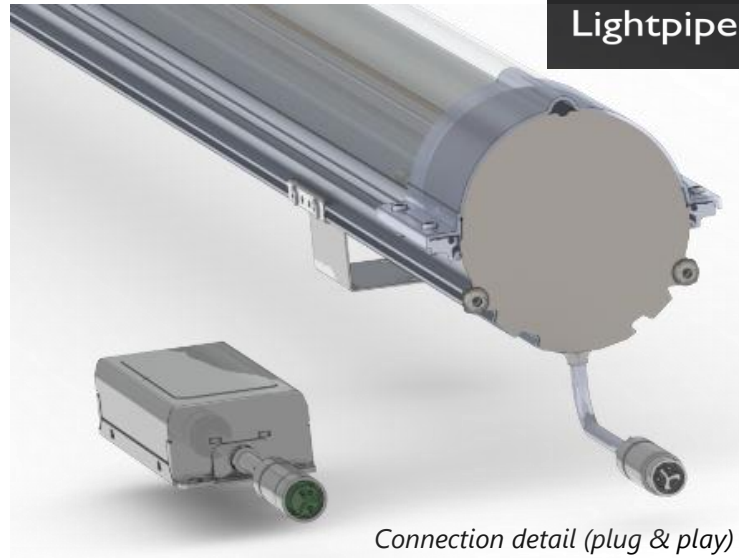
Input voltage	220 – 240 Vac (through external driver)
Frequency	50 / 60 Hz (through external driver)
Power factor	0,98 (100%), 0,85 (20%)
Dim range	DALI or 1-10V (external driver)
Driver lifetime	100.000 hours
Insulation	ClassII-Class III
Operation temp.	-25°C ~ +40°C
Wiring	End connector 1,5mm <sup>2</sup> L, N, Da+, Da-

### Construction

Luminaire parts	extruded anodized aluminium
Light tube	100mm Polycarbonate, UV stable
Power supply	Linear LED drivers
Fixing	Stainless steel 304
Connection	Wieland RST / flying lead
Light source	Luxeon mid power LED plus (130mA)
LED lifetime	L80B50 = 100.000 hours
Light color	4000K (3000 -5000K optional)
CRI	RA >80 (up to 92 optional)

## Certifications

Protection class	IP66
Impact class	IK10
Standards	EN 60598-1, EN 60598-2-2, EN 55015, EN 61000-3-2
All wires	Low Smoke Zero Halogen
Material usage	Fully recyclable components Cradle to Cradle certification pending

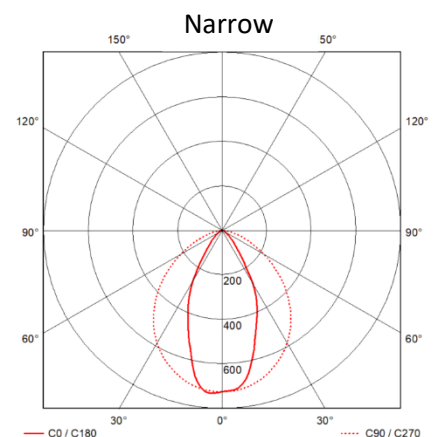
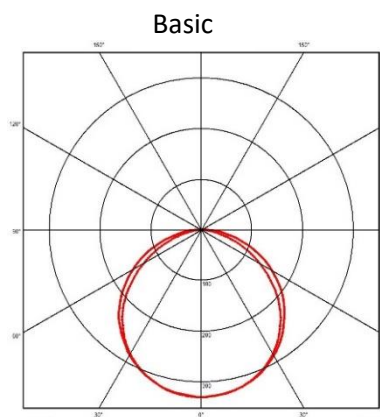
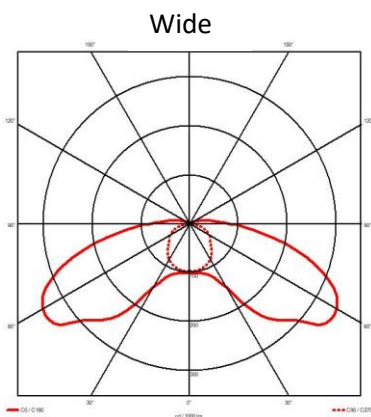


## Types and dimensions

Type	Length	Power	Weight	Lumen	Distribution
T30-SxxWE-EXT	320cm	57W	12 kg	7574 lm	Wide
T30-SxxBE-EXT	320cm	57 W	12 kg	8052 lm	Basic
T30-SxxNE-EXT	320cm	57 W	12 kg	7574 lm	Narrow
T15-SxxWE-EXT	170cm	29,5W	8 kg	3787 lm	Wide
T15-SxxBE-EXT	170cm	29,5W	8 kg	4026 lm	Basic
T15-SxxNE-EXT	170cm	29,5W	8 kg	3787 lm	Narrow

## Additional Parts

SCW Start Cable 0,5m with Plug & Play connector



# General Dimensions

