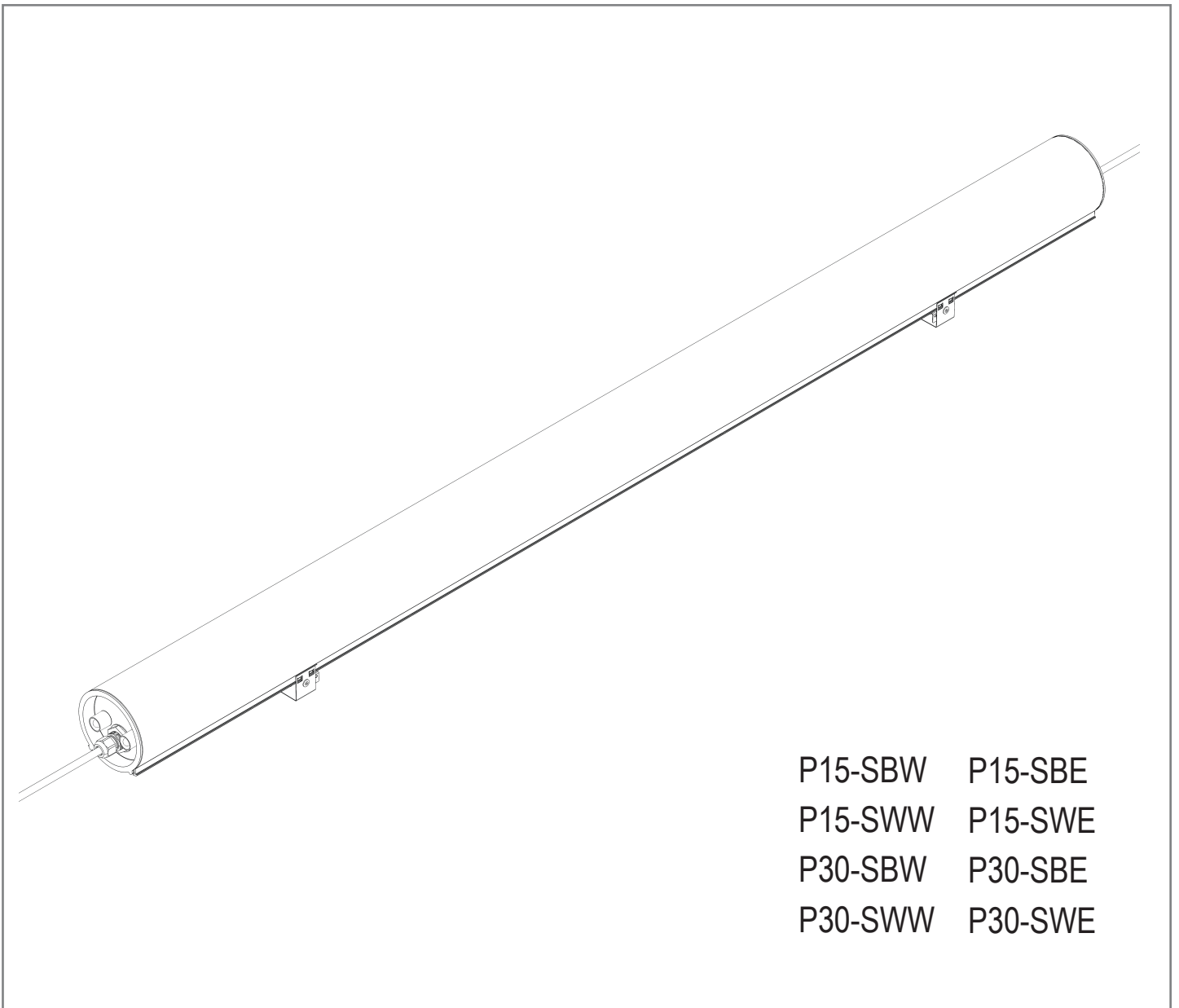


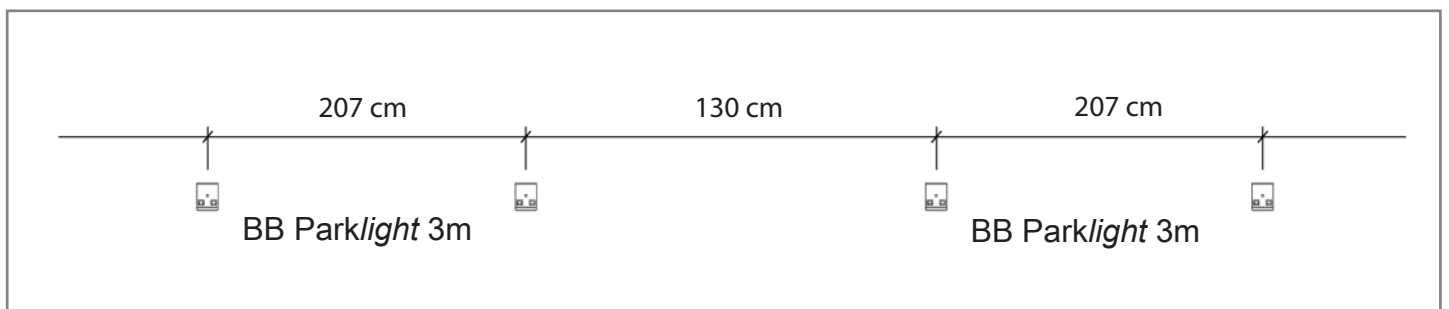
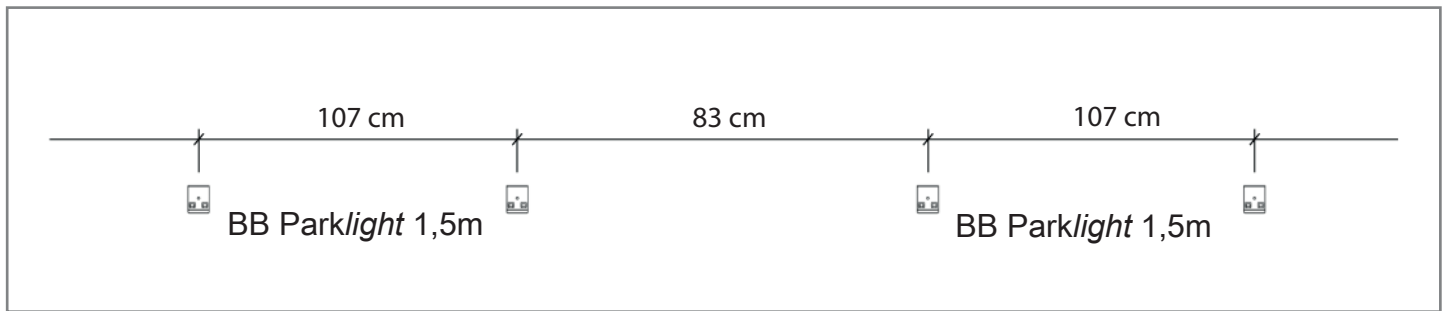
# Mounting Instructions



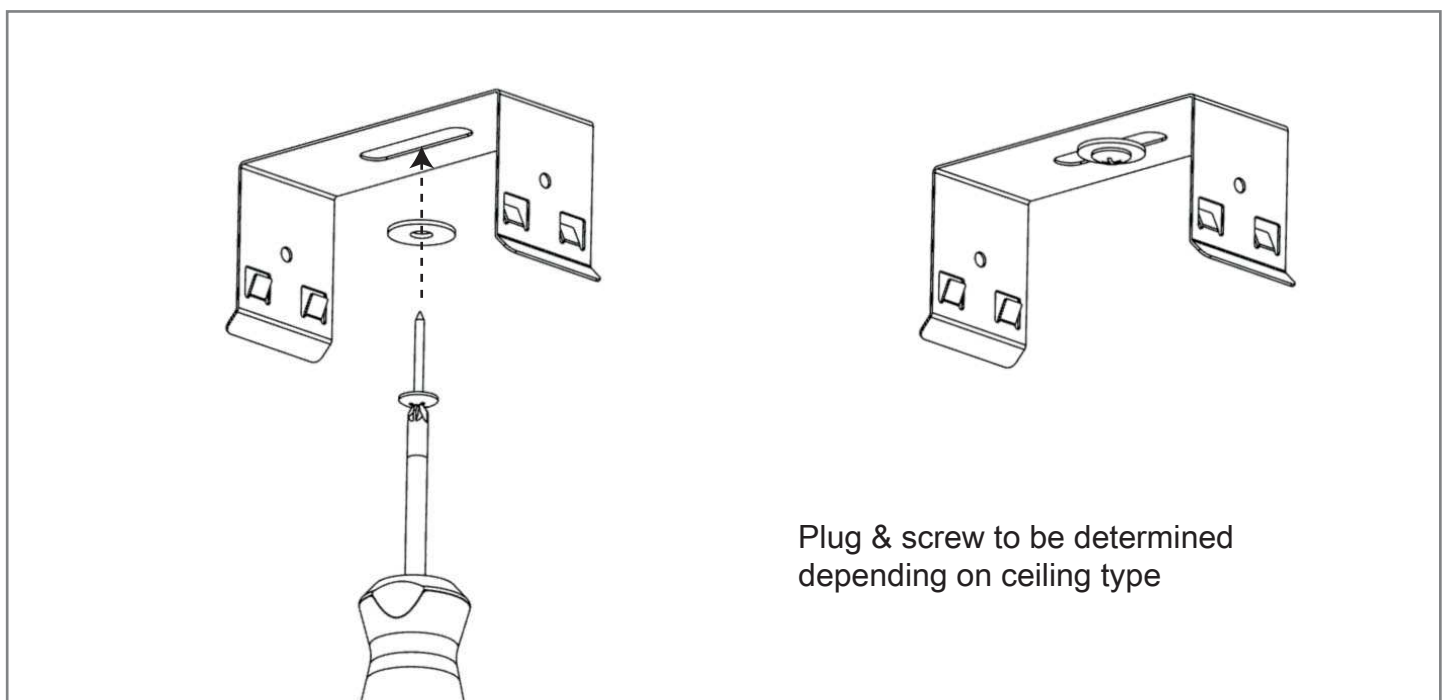
## BB Parklight



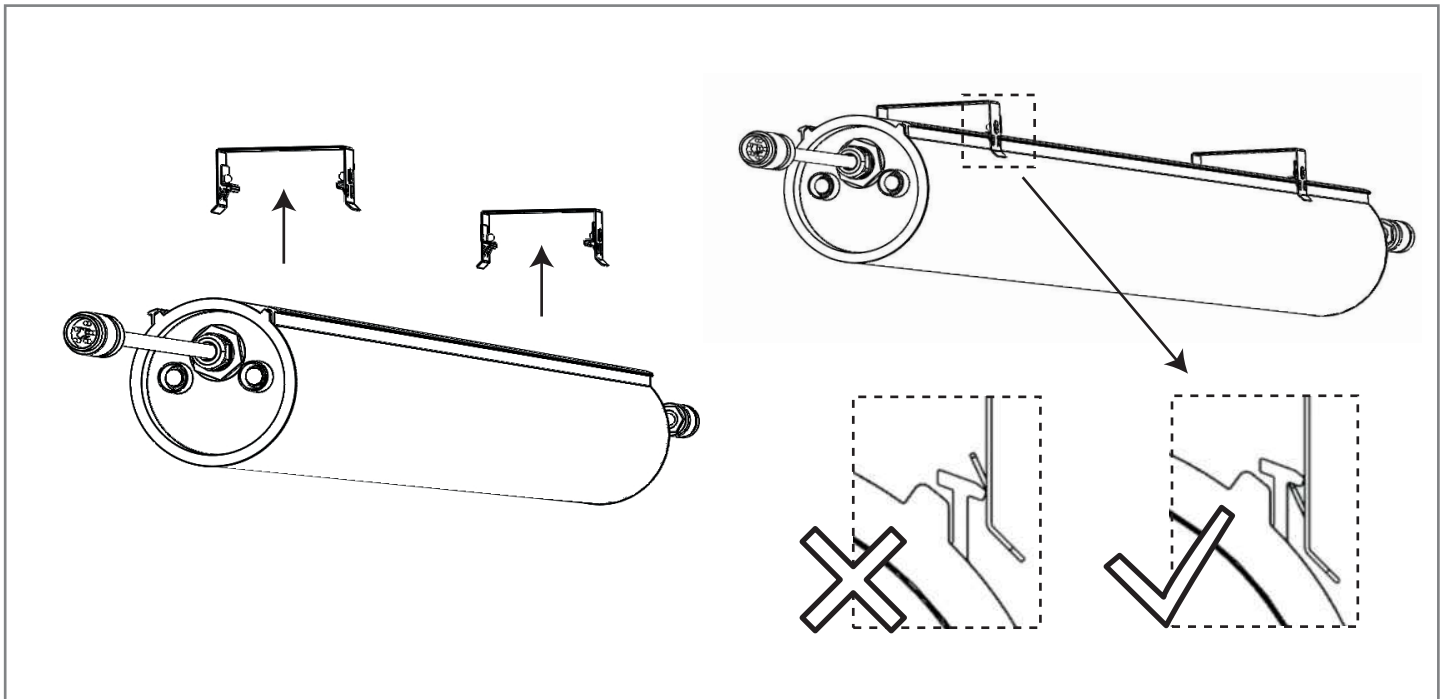
# 1. Measure and drill holes for the mounting brackets



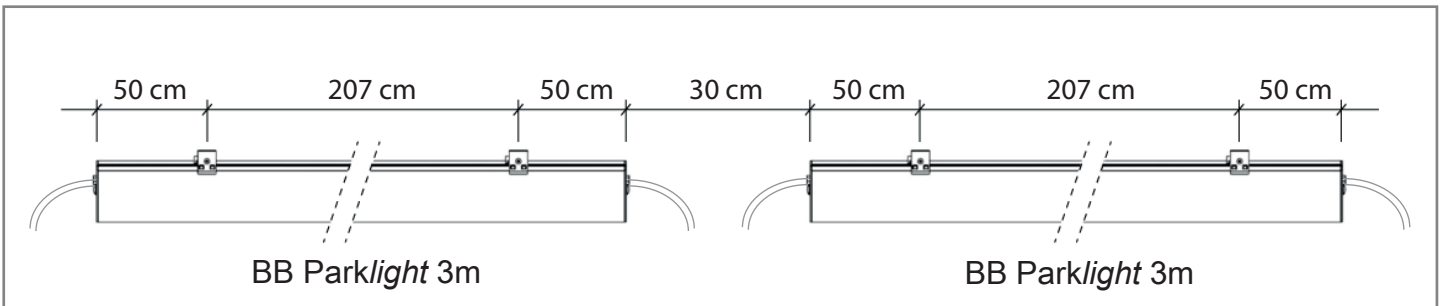
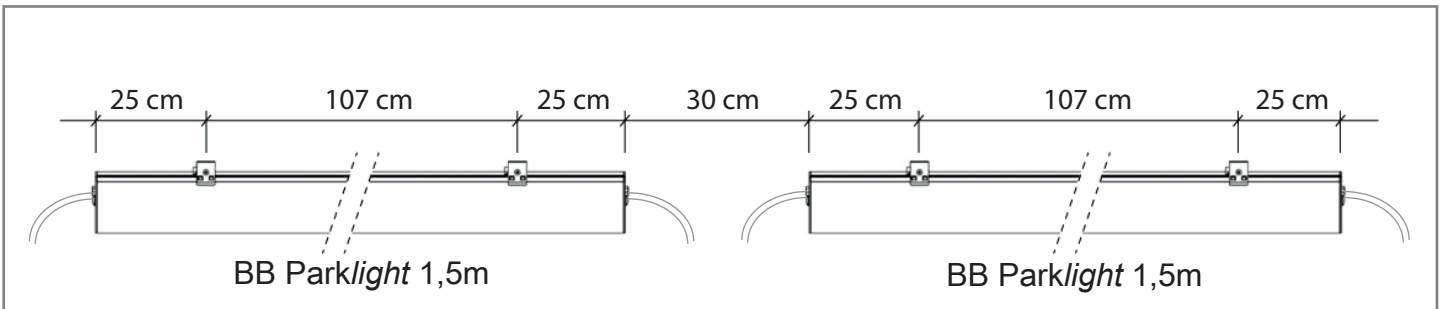
# 2. Mounting the brackets



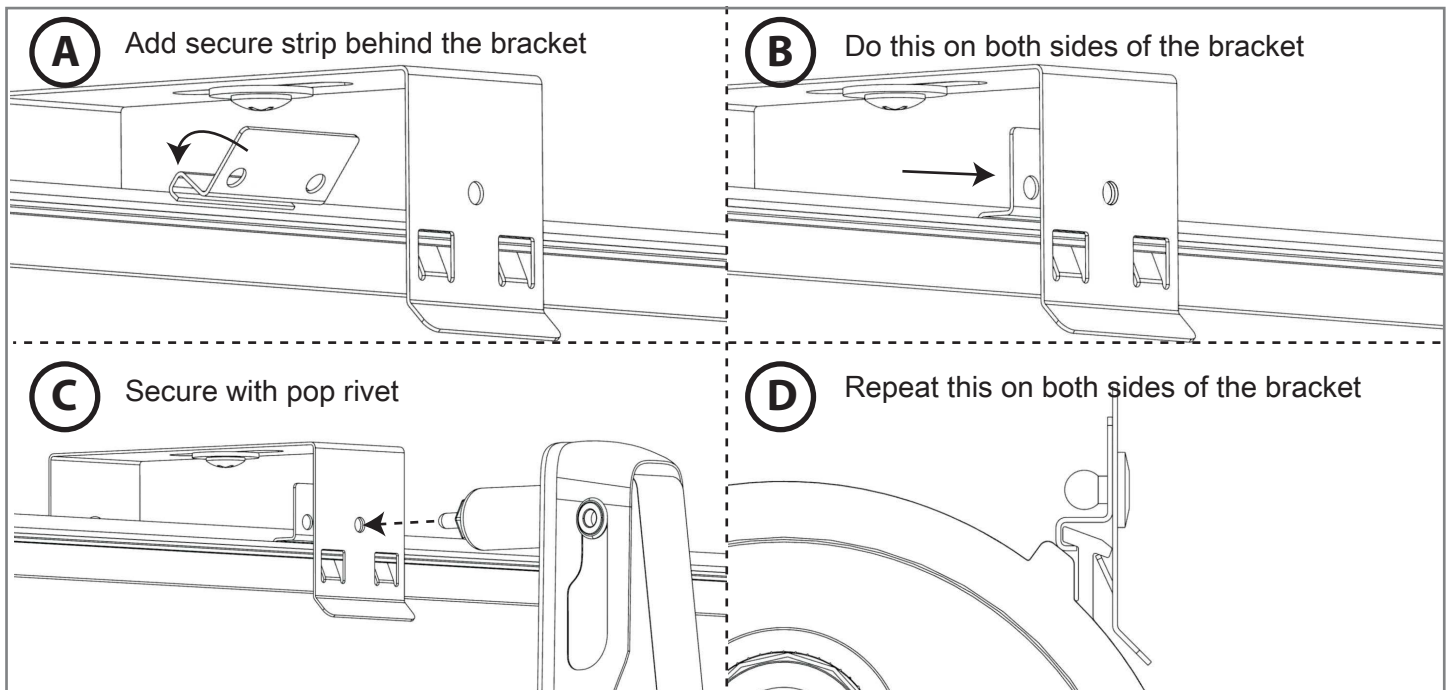
### 3. Fit the BB Parklight into the mounting brackets



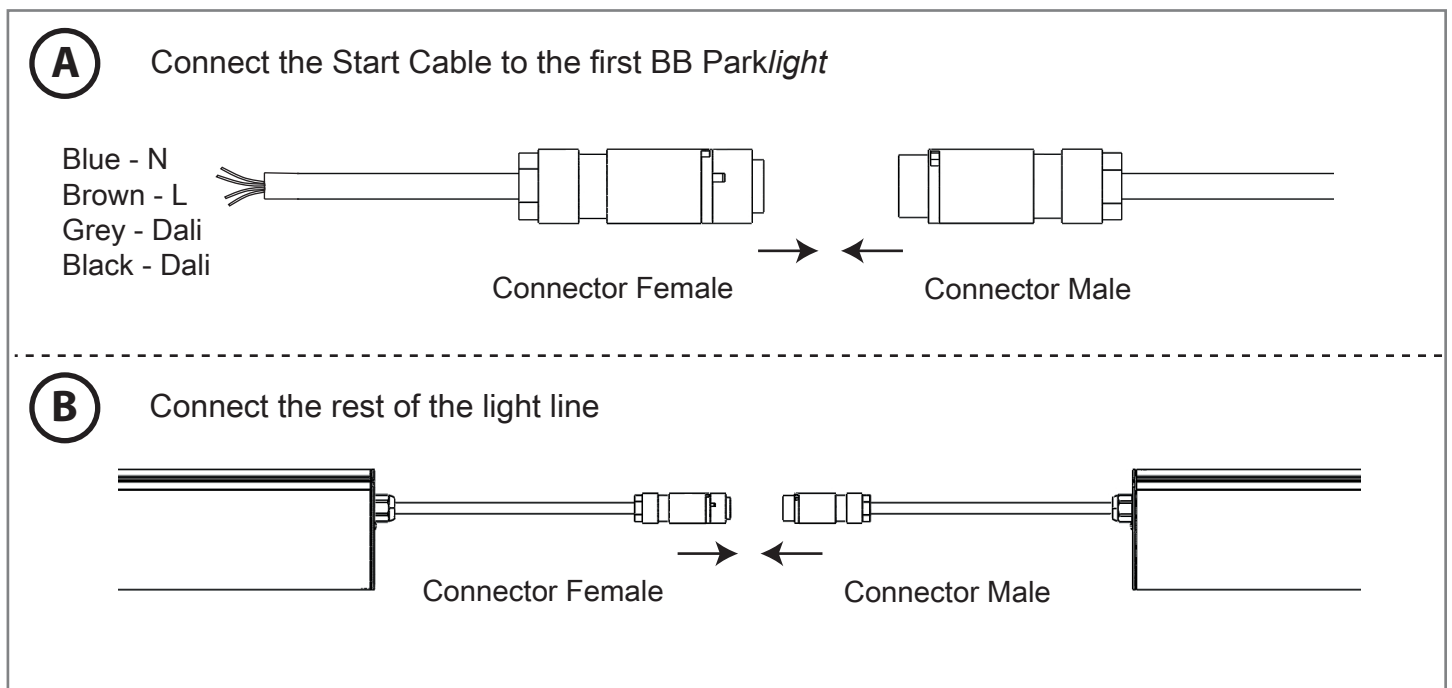
### 4. Check the distances between the fixtures



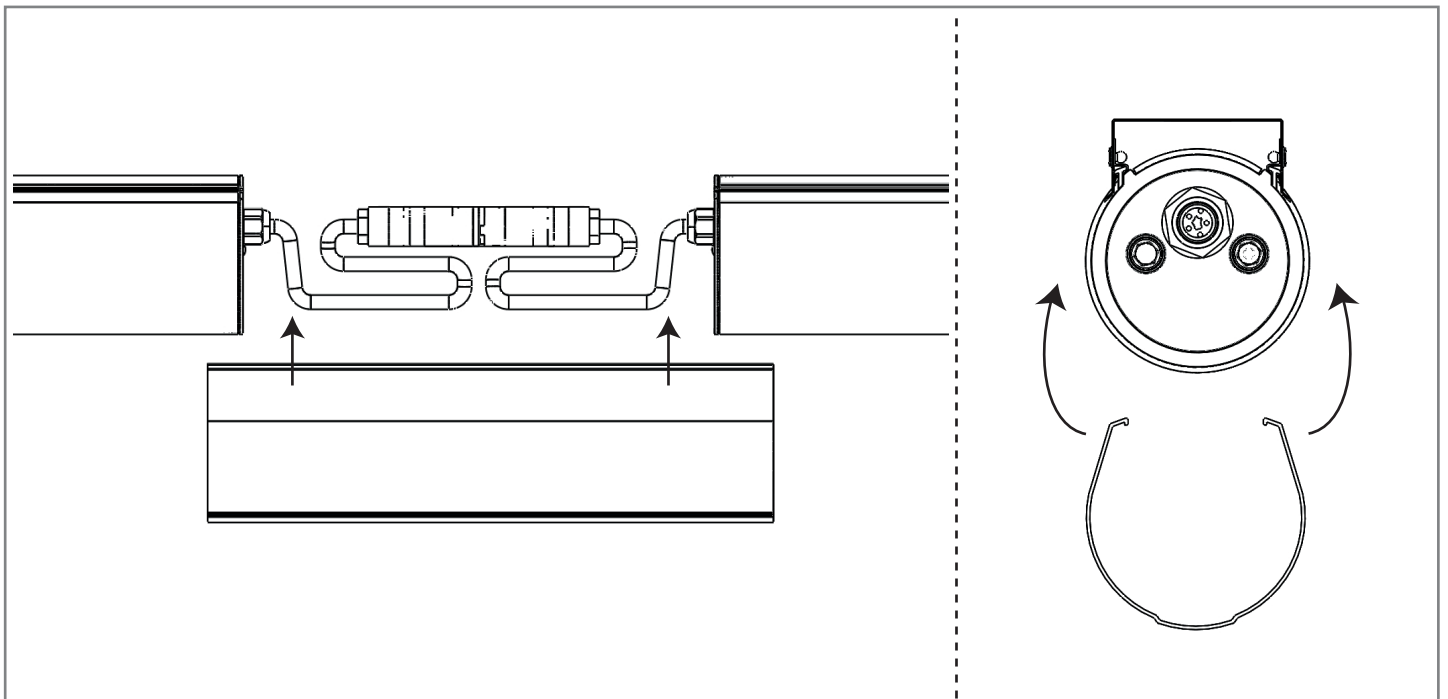
## 5. Secure the BB Parklight with pop rivets



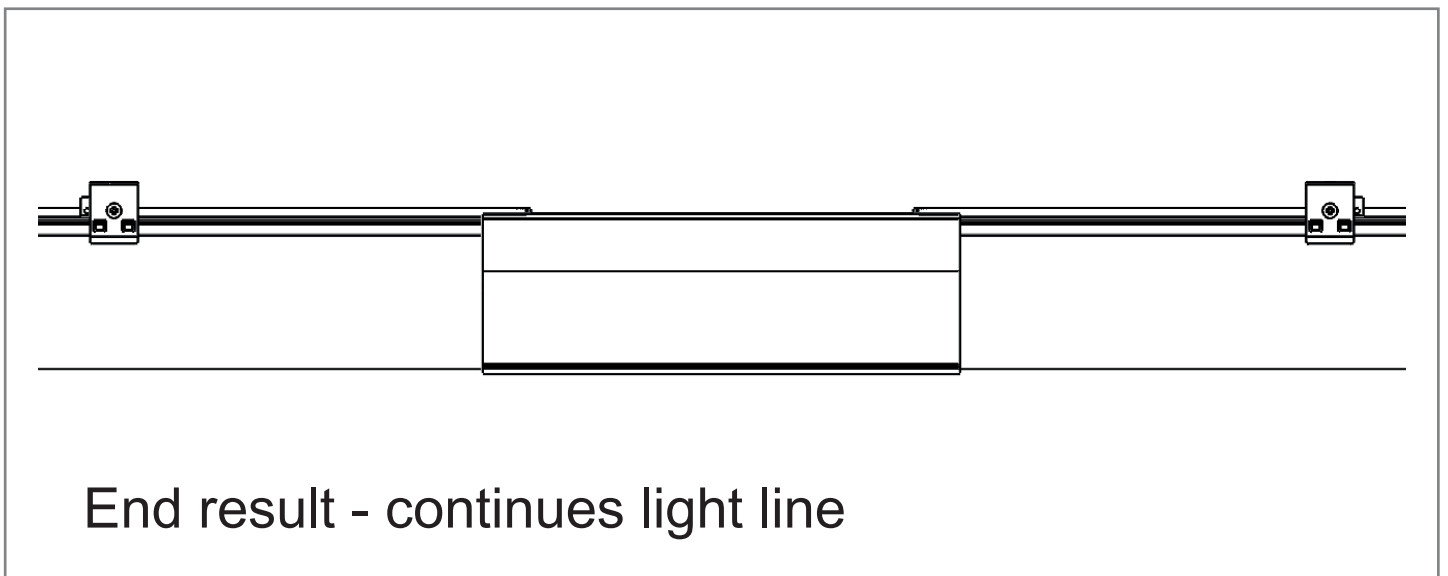
## 6. Connect the fixtures with the connectors



## 7. Place the Cable Cover



## 8. Final visual check



BB Lightpipe  
Fabriekstraat 16-04  
7005AR Doetinchem  
The Netherlands



+31 (0) 314 39 23 48  
info@bblightpipe.com  
www.bblightpipe.com  
member of the TKH Group