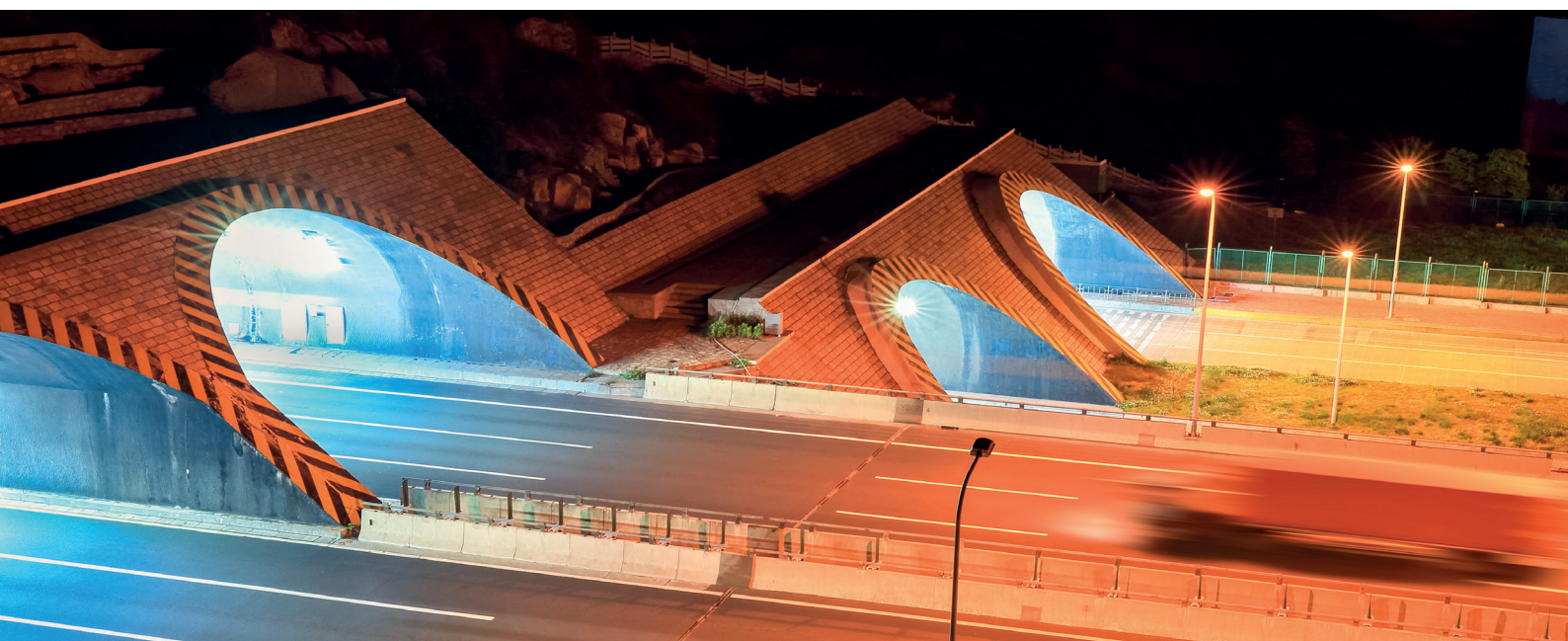
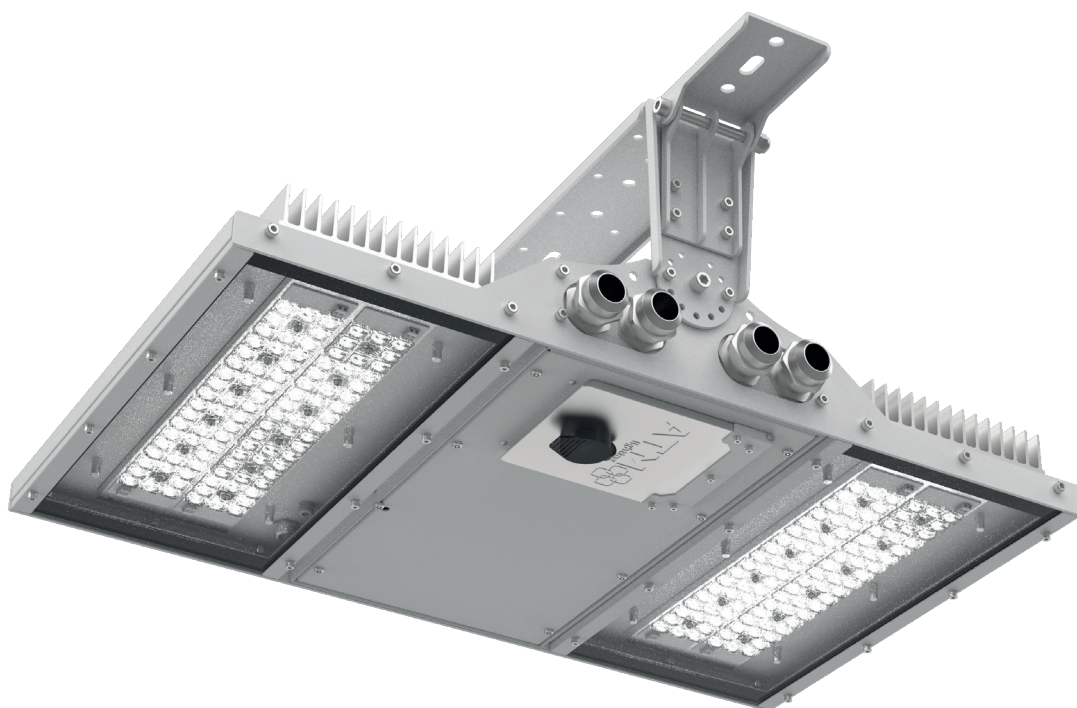


TNL440LED





EN-60658-2-22 CERTIFICATE:

CNBOP no. 4371/2021

EXEMPLARY APPLICATIONS

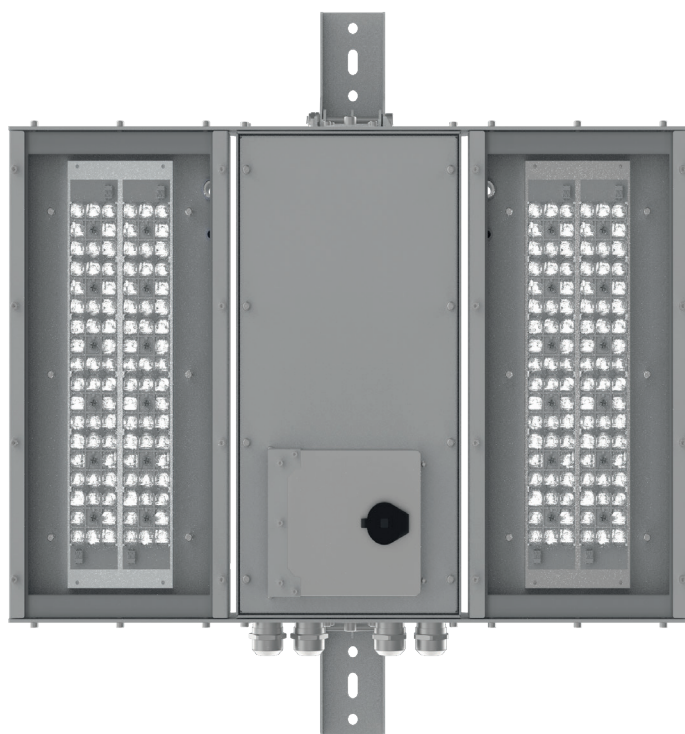


CAR TUNNELS

Industrial floodlight dedicated to the tunnels with LED modules with a very high luminous flux. The fixture is equipped with a key lockable inspection flap, which helps during the installation. The housing is made of the stainless steel. The lamp shade is made of the tempered glass. The fixture CNBOP no. is 4371/2021.

Optionally TNL320LED fixture can be made of the steel type 304, 316 or 316TI. External connection elements are made of the steel type 316.







FEATURES





MECHANICAL PARAMETERS

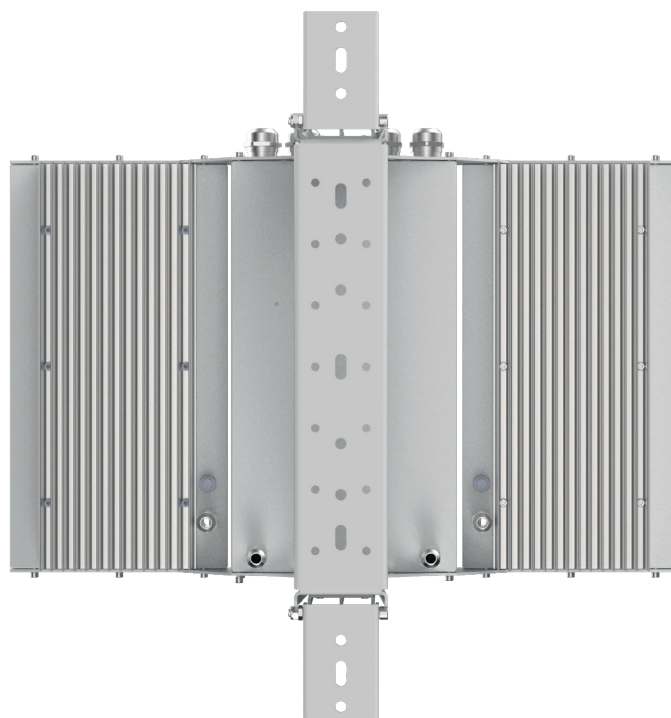
-  Housing: stainless steel
-  Diffuser: tempered glass
-  Protection level: IP66
-  protection class: class I
-  Radiators: aluminum
-  Access: using a key
-  Color temperature: 4000K, CRI>70

ELECTRICAL PARAMETERS

- Source of light: LED modules with ENEC certificate 
- Voltage: 210-250V 50/60Hz | 210-250VDC 
- Connection terminals: 7 x 10mm² 
- Overvoltage protection: 6 kV 
- Control system: integrated DALI driver  

OTHER

- Lifetime: 100.000h L₈₀ B₁₀ 
- Ambient temperature: -40°C to +60°C*
* depending to the type 



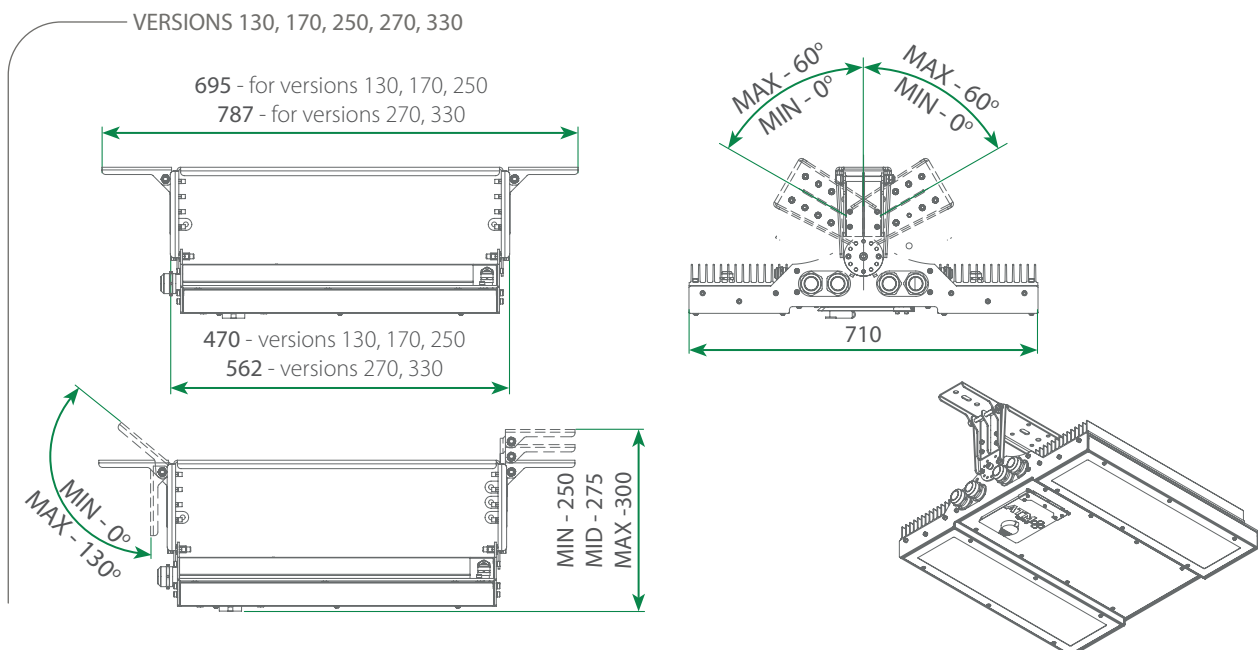
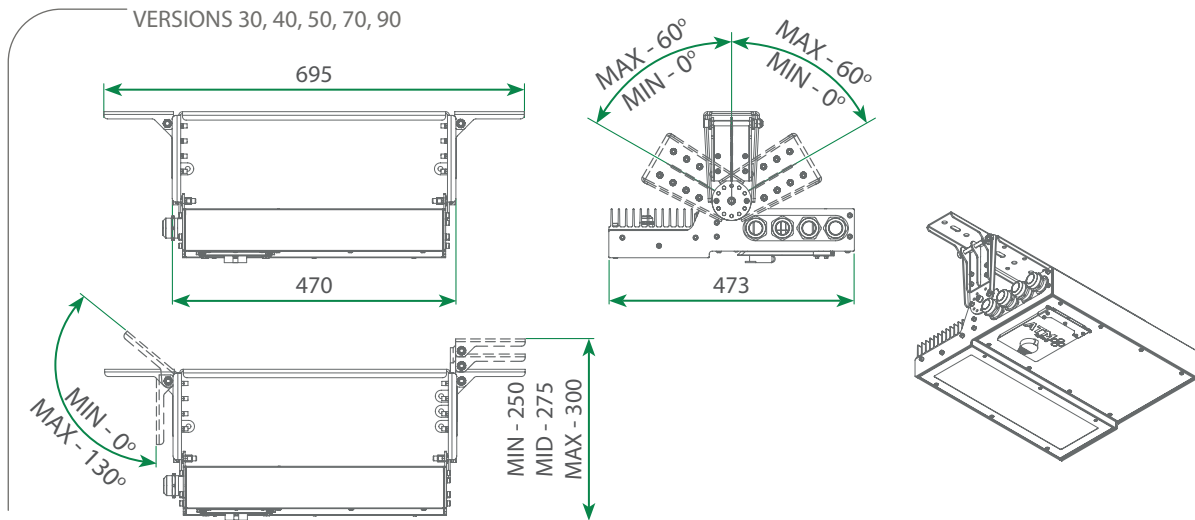
FEATURES



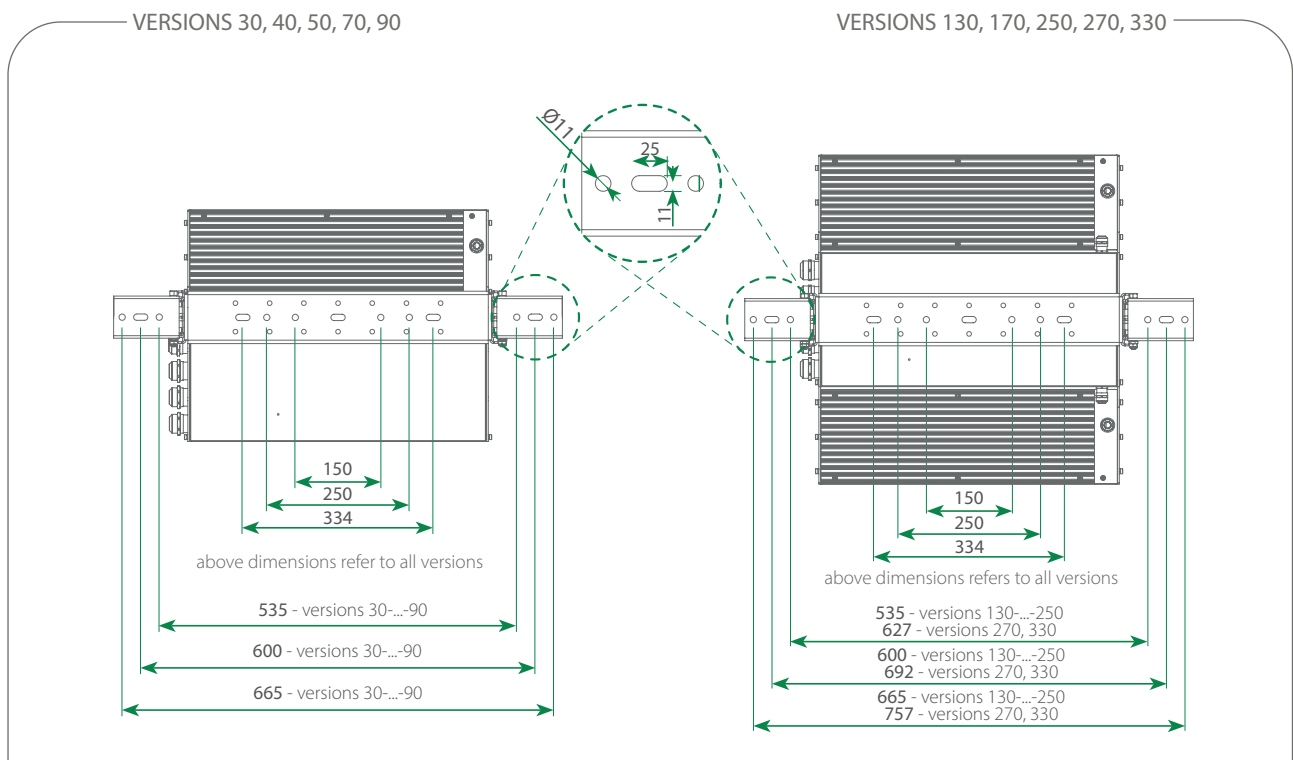
Attention:

TNL440LED light fitting has been equipped with a inspection flap provides easy acces to the inside.

DIMENSIONS



MOUNTING DIMENSIONS

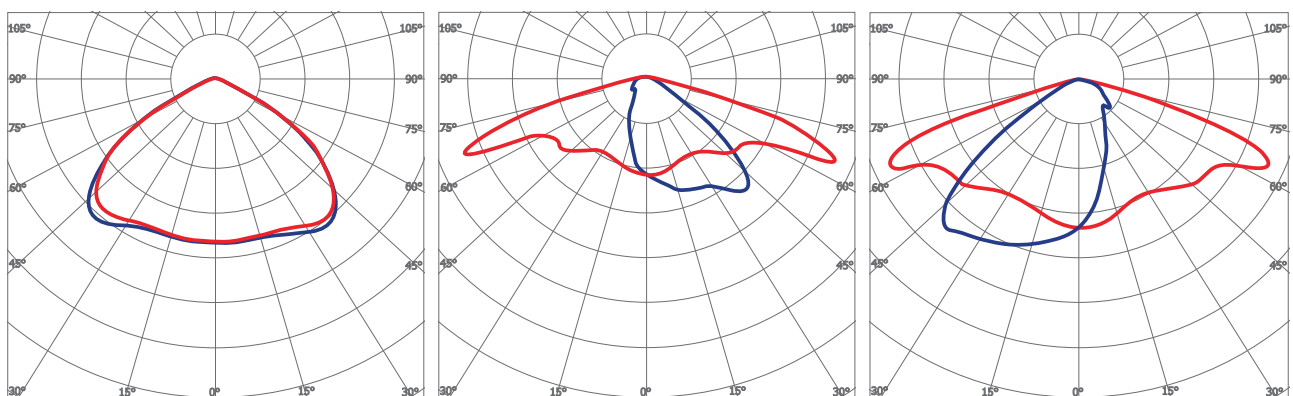


TYPES COMPARISON

TYPE	LUMINOUS FLUX [lm]	POWER SUPPLY [W]	EFFICIENCY [lm/W]	MAX AMB. TEMPERATURE [°C]
TNL440LED-030-HB4	4094	28,0	146,2	60
TNL440LED-040-HB4	5842	39,6	147,5	60
TNL440LED-050-HB4	6908	46,5	148,6	55
TNL440LED-070-HB4	9185	62,1	147,9	50
TNL440LED-090-HB4	12164	83,9	145,0	45
TNL440LED-130-HB8	17556	118,4	148,3	55
TNL440LED-170-HB8	21979	150,2	146,3	50
TNL440LED-250-HB8	28903	203,4	142,1	40
TNL440LED-270-HA8	35004	240,8	145,4	45
TNL440LED-330-HA8	41016	288,4	142,2	40
TNL440LED-400-HA10*	54874	357,6	153,5	40

*** Attention:** The TNL440LED-400-HA10* is not subject to CNBOP certification.

PHOTOMETRY



! Attention: Other optics available for special Customer order.

CONFIGURATIONS

T	N	L	4	4	0	L	E	D				3	5	E						
									0	3	0	HA	4		30	10	M	20	304	GL
									0	4	0	HB	8		40	20	P	25	316	
									0	5	0		10		50	30		32	STI	
									0	7	0				60	40				
									0	9	0				70					
									1	3	0									
									1	7	0									
									2	5	0									
									2	7	0									
									3	3	0									
									4	0	0									

<p>group tunnel fixtures</p> <p>type type 440</p> <p>source of light LED modules</p> <p>approximate power [W]</p> <p>LED module type</p> <p>power supply 202-254VAC 186-250VDC 0/50-60Hz</p> <p>wiring 30 - 3-pole terminal 40 - 4-pole terminal 50 - 5-pole terminal 60 - 6-pole terminal 70 - 7-pole terminal</p> <p>cable inlets - quantity 10 - 1 inlet 20 - 2 inlets 30 - 3 inlets 40 - 4 inlets</p> <p>cable inlets - material M - metal P - plastic</p> <p>cable inlets - size 20 - M20 25 - M25 32* - M32 (available with 1 and 2 cable inlets)</p> <p>housing material 304 - St304 steel 316 - St316 steel STI - St316 Ti steel</p> <p>diffuser material GL - tempered glass</p>	<p>group</p> <p>type</p> <p>source of light</p> <p>approximate power</p> <p>LED module type</p> <p>power supply</p> <p>wiring</p> <p>cable inlets - quantity</p> <p>cable inlets - material</p> <p>cable inlets - size</p> <p>housing material</p> <p>diffuser material</p>
---	---

ADDITIONAL INFORMATION



The light fitting is equipped by standard with an integrated power supply with a DALI interface, which allows to monitor the operation of light fixtures and control lighting using data directly from motion sensors or from the Building Management System (BMS). A properly configured lighting control system can significantly reduce electricity costs and improve the ergonomics of users' work.



Luminous flux tolerance +/- 10%
Power tolerance +/- 10%
The parameters given in the following data sheet has been determined for the temperature Ta=25°C.

Luminous flux, light intensity distribution and efficiency has been tested on the basis of the standards EN ISO 17025:2005, norm series EN13032 and LM-79.

The actual data and General Warranty Conditions are available on our website www.atmlighting.pl