



BB Formiolight Fx

-  Recyclable
-  Vandal Resistant
-  Recyclable Materials
-  DALI communication
-  CO2 reduction
-  Protection
-  LED Technology
-  Glare Free
-  Energy Efficiency
-  Maintenance free
-  Plug & play installation
-  Extreme long lifetime

Product description

LED fixture for Tunnel applications. Housing is made of rectangular shaped high quality extruded aluminium (outdoor grade). All fixations are made out of corrosion proof materials for long life and maintenance free applications.

Specially developed LED engines inside the housing emits light into an impact-proof and IP67 housing. With special optic technique the light is beamed at a specific angle to create an optimal light distribution for different applications (narrow, medium, wide, symmetrical, asymmetrical distributions are possible)

The specific light distributions make it possible to illuminate spaces in different ways. This means the fixture is suited for Industrial and tunnel areas or similar applications. Driver can be integrated or placed in remote.

Specifications

Regulation	Constant Current
Input voltage	100...300 Vdc (per module)
Input current	0,05...0,75 A (per module)
Power	2x 5...165W (per module)
Insulation	Class I-II-III
Operation temp.	-25°C ~ +40°C
Wiring	End connector/cable 2,5mm ² max.

Construction

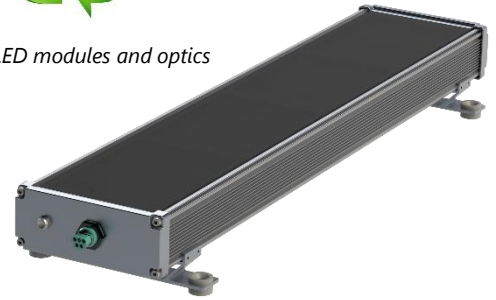
Luminaire parts	extruded anodized aluminium
Protector	Tempered glass plate 3mm thickness
Power supply	External LED driver
Fixing	Magnelis / RVS / Galvanic separation
Connection	Plug & Play IP65 minimum / flying lead
Light source	High power LED + optics ZAGA Compliant
LED lifetime	L90 = 100.000 hours
Light colour	4000K (3000 -5000K optional)
CRI	RA >70 (up to 92 optional)

Certifications

Protection class	IP67
Impact class	IK08 min
Standards	EN 60598-1, EN 55015
All wires	Low Smoke Zero Halogen
Material usage	Fully recyclable components
	Design following Cradle to Cradle concept
	Produced following ENEC

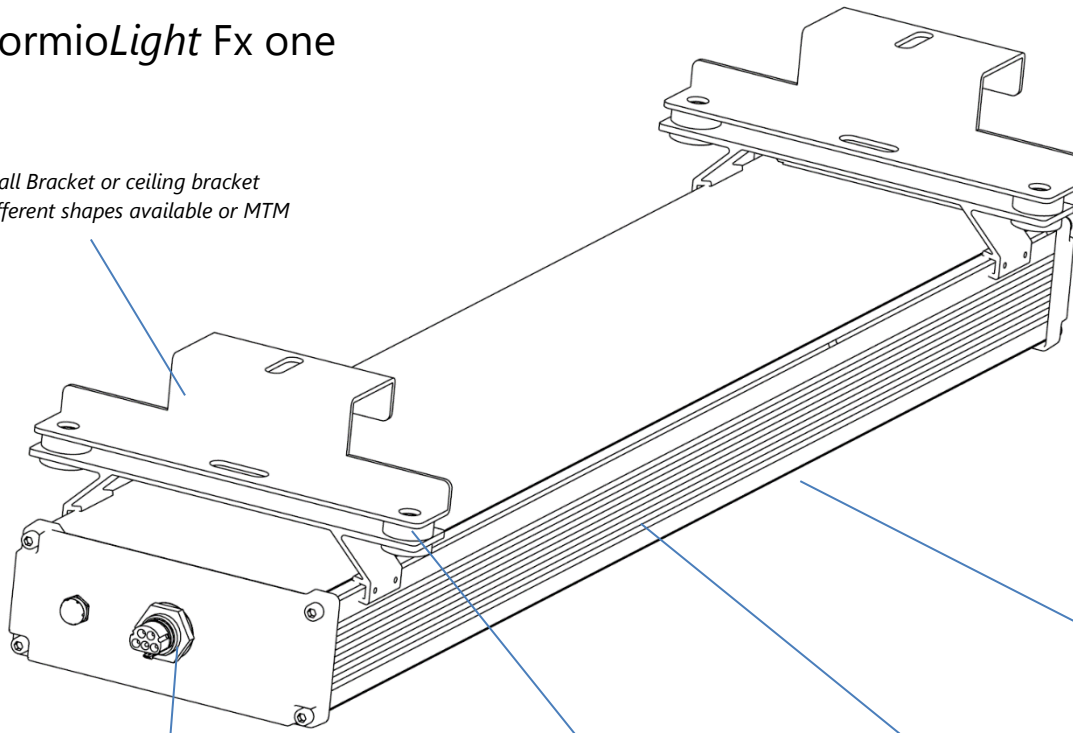


ZAGA Compliant LED modules and optics



FormioLight Fx one

Wall Bracket or ceiling bracket
different shapes available or MTM



Plug & Play connectors IP68

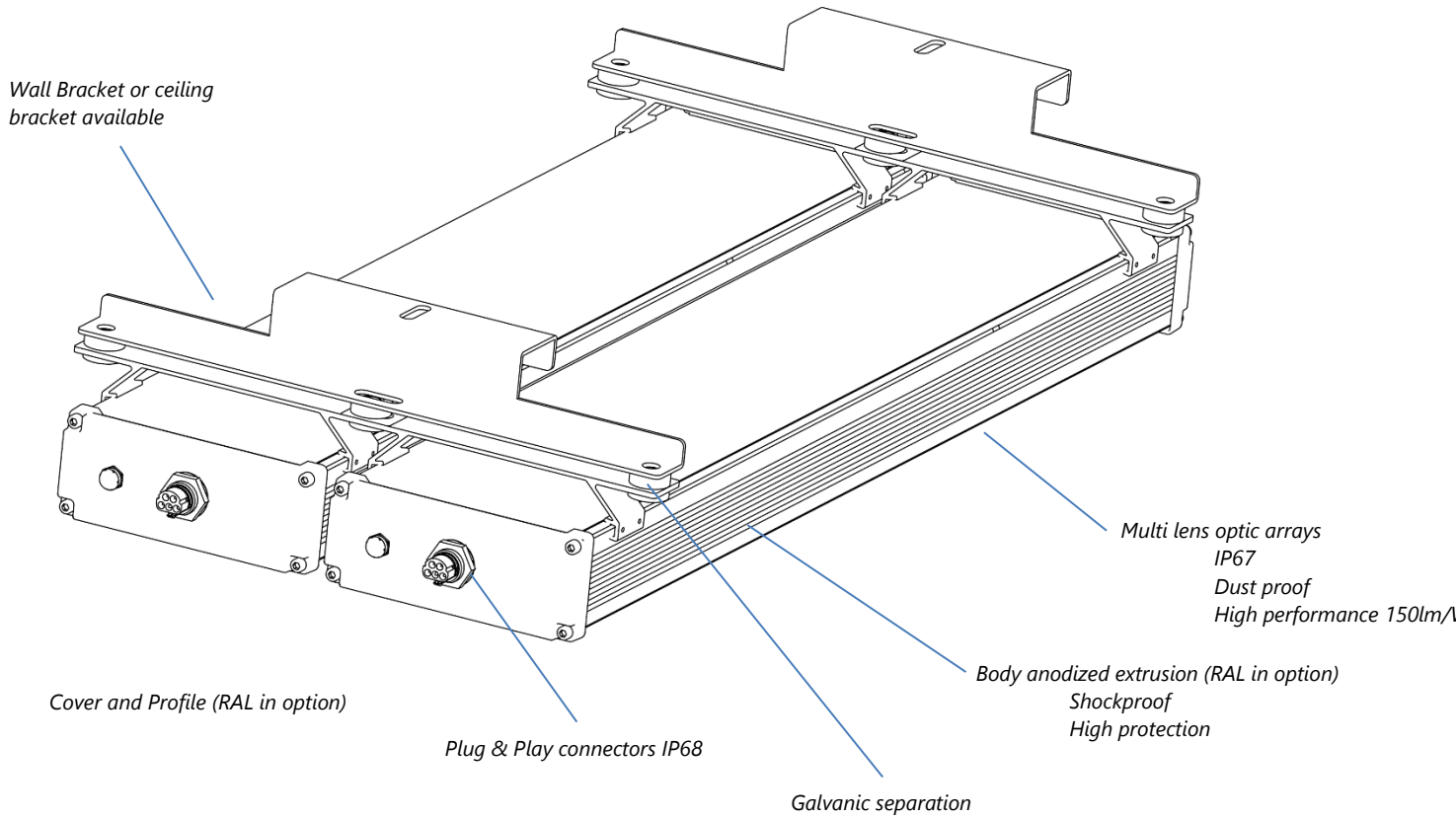
Galvanic separation

Multi lens optic arrays
IP67
Dust proof
High performance 150lm/W

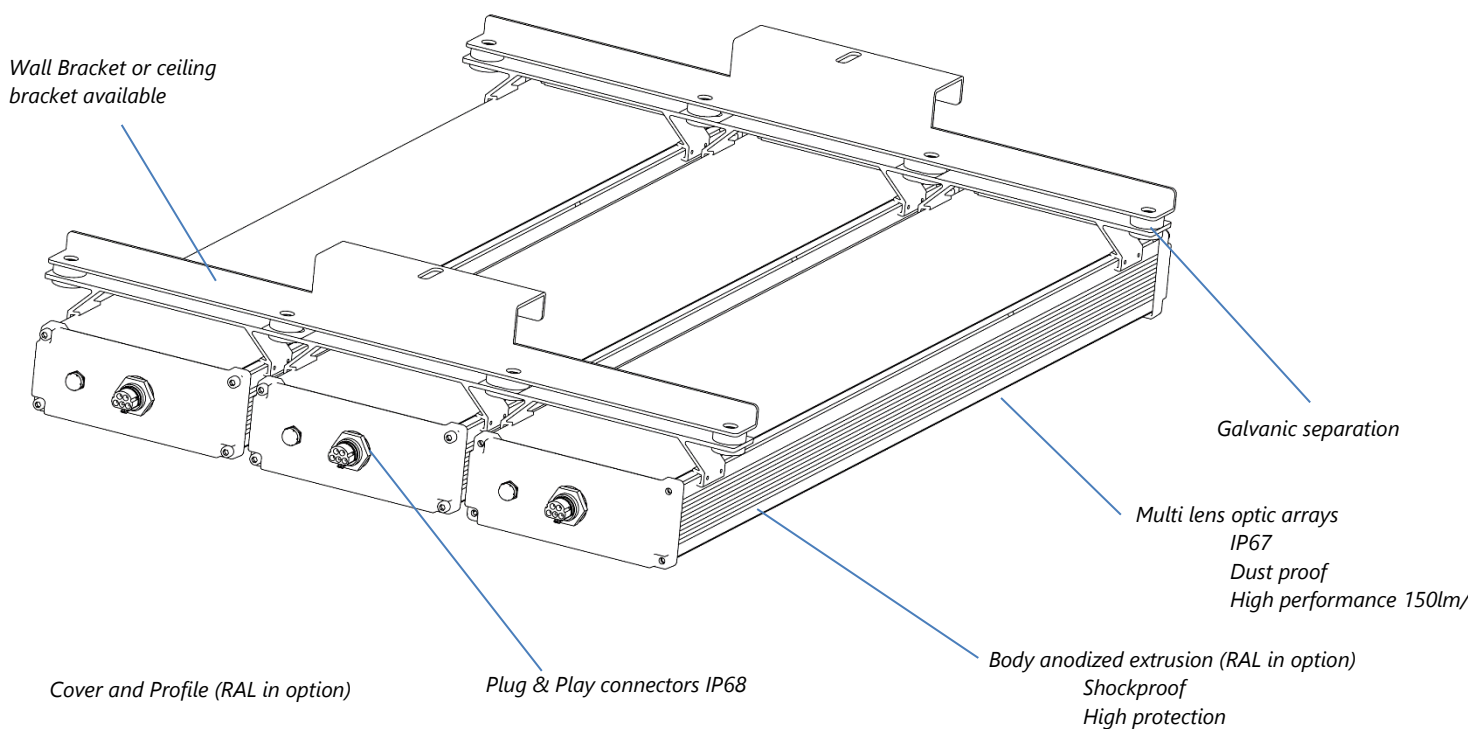
Body anodized extrusion (RAL in option)
Shockproof
High protection

Cover and Profile (RAL in option)

FormioLight Fx Two



FormioLight Fx Three



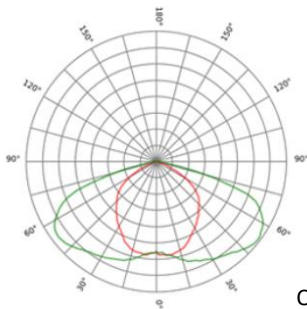
Types and dimensions

Type	Power	Weight	Lumen	Type
FL10-12M-1U-550-O432	311,6W	7,5 kg	46.992 lm	Formio Fx One
FL10-12M-1U-200-O432	113,3W	7,5 kg	17.088lm	Formio Fx One
FL10-12M-2U-550-O432	623,2W	14kg	93.984 lm	Formio Fx Two
FL10-12M-3U-550-O432	934,8W	20kg	140.976 lm	Formio Fx Three

Additional Parts

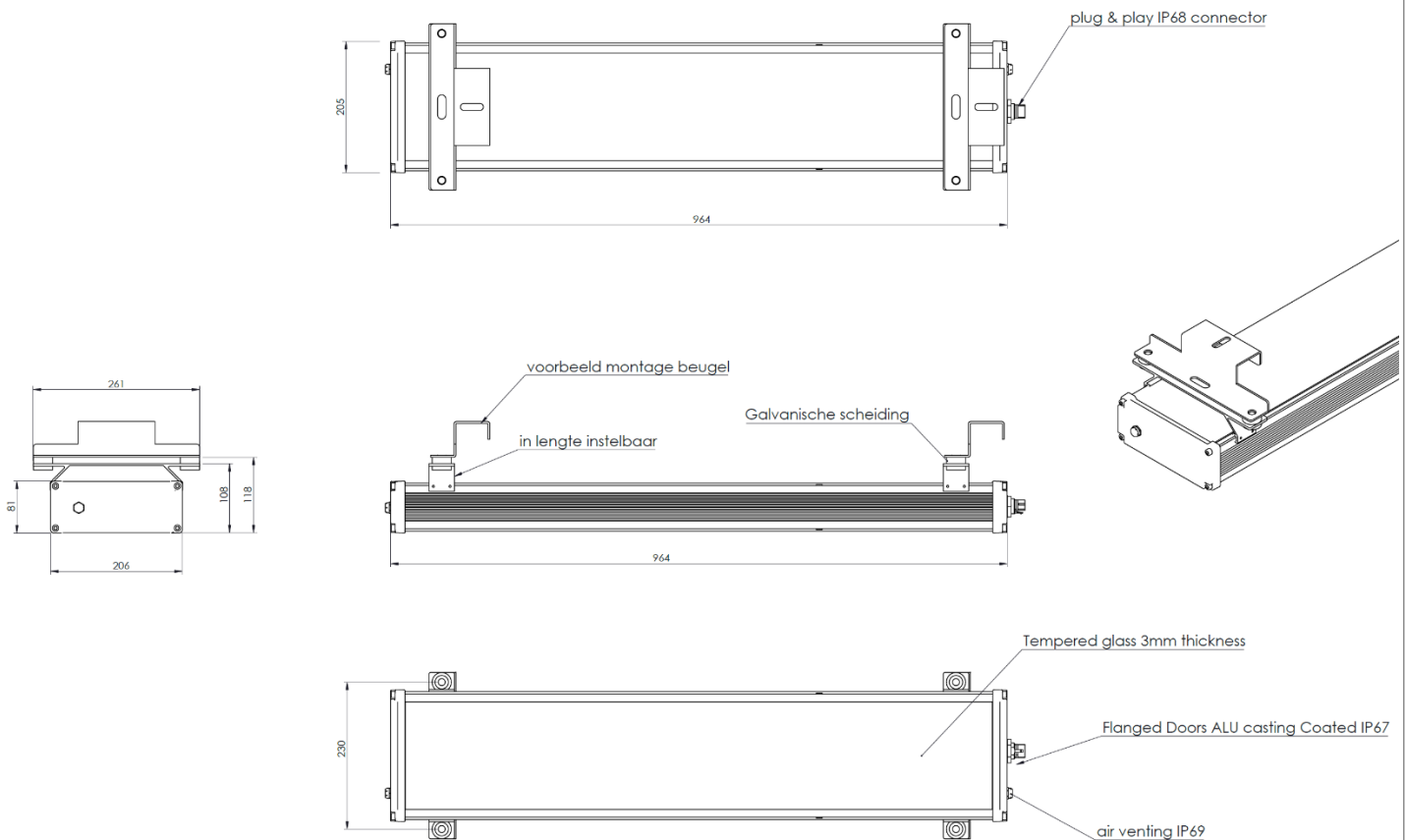
SCWBL Start Cable 2m with Plug & Play connector IP68 (Wieland RST20i5)

Distributions



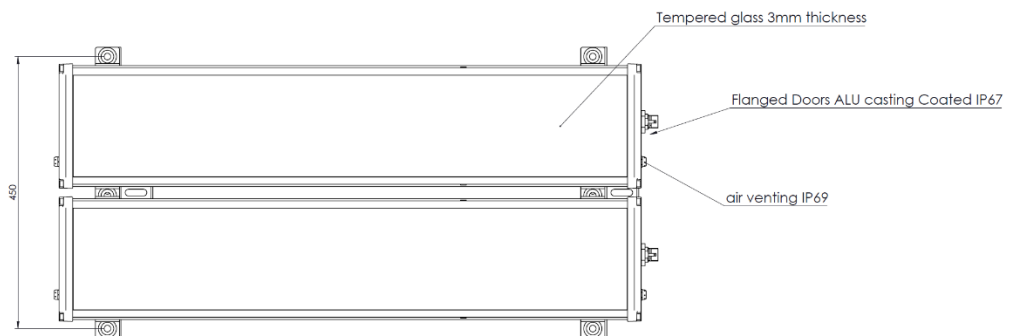
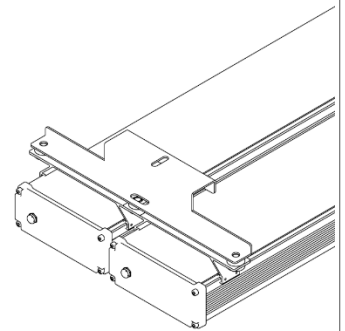
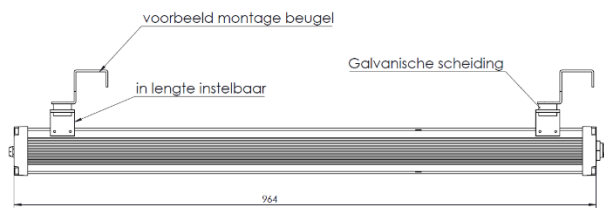
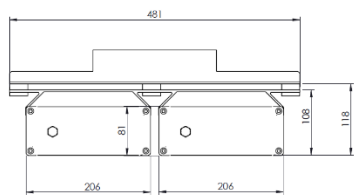
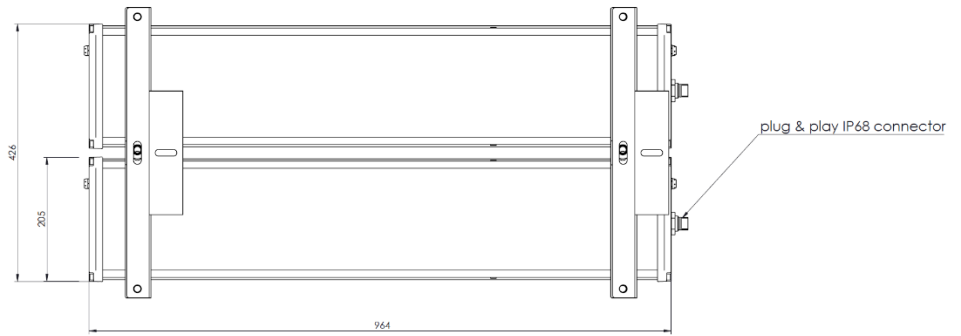
Optic Type O432

Formio Fx One

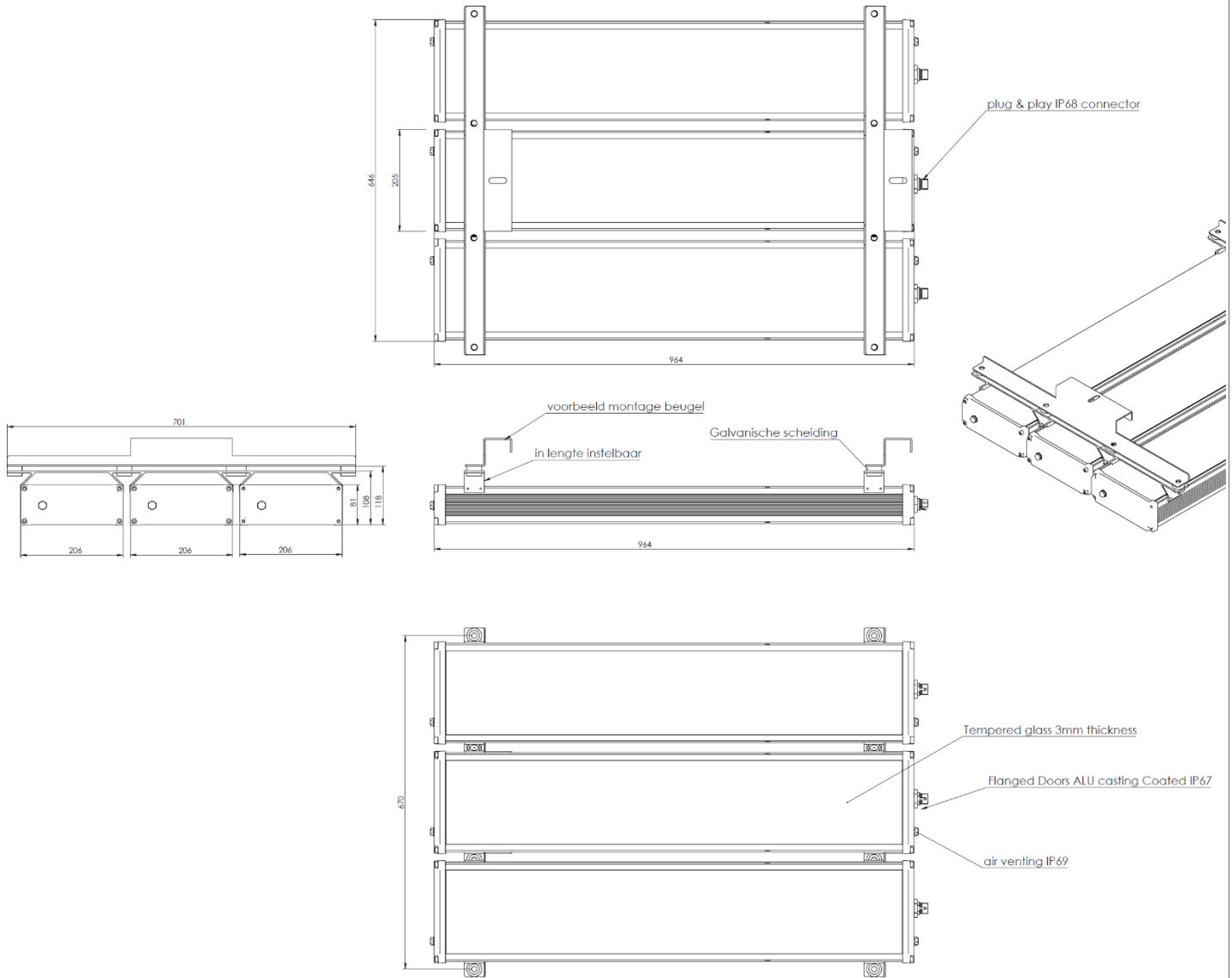


Dimensions in mm

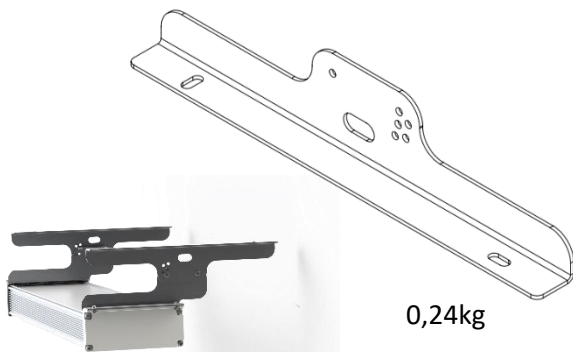
Formio Fx Two



Formio Fx Three



Ceiling tilt Bracket



Wall tilt Bracket

