

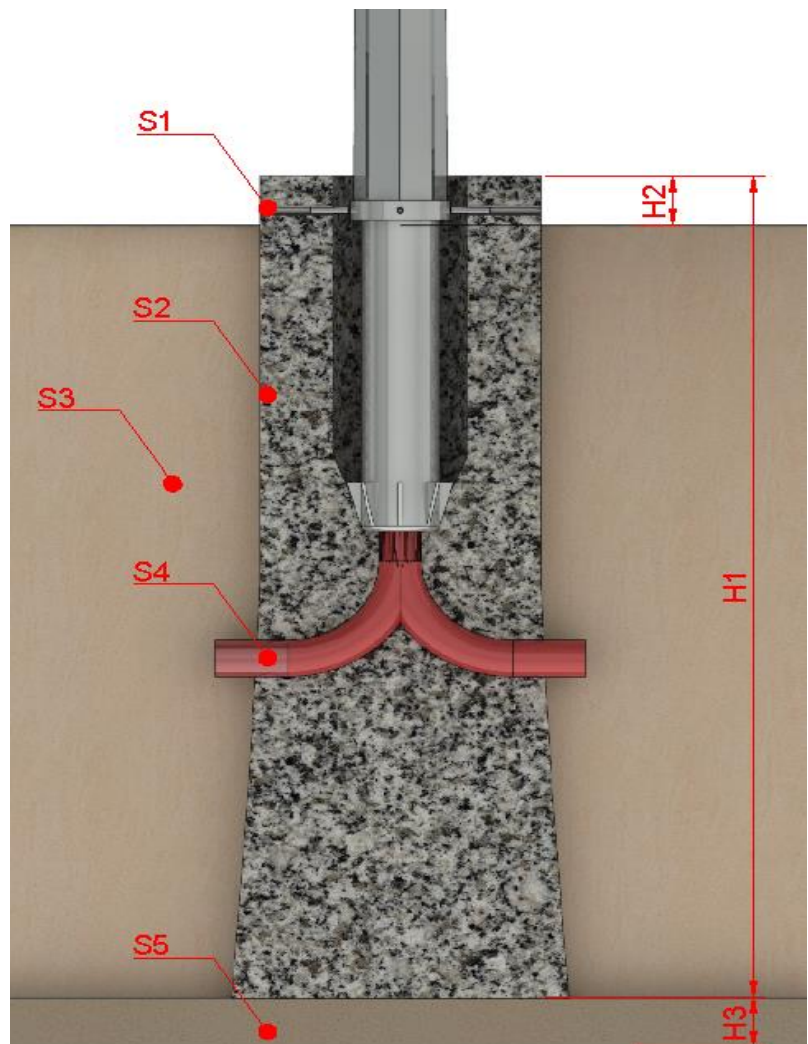
Lighting columns installation in concrete foundations

Lighting columns installation needs street lighting project with the placement of lighting columns, placement of cable runs, described types of cables, columns, luminaires, etc.

First of all concrete foundations should be installed. Type of concrete foundation should be chosen depending on type of used lighting column, its height, diameters and other dimensions.

To install concrete foundation construction pit should be made considering that below concrete foundation should be 100mm thick sand cushion and top surface of the concrete foundation should be 100mm above ground level (Picture Nr-1). Before installing concrete foundation into the construction pit sand cushion must be tamped properly. Construction pit should be wide enough to fill it with proper amount of unfrozen soil around the concrete foundation. When construction pit is ready concrete foundation should be placed into pit and regulated in straight vertical position.

When concrete foundation is placed into construction pit it should be filled with unfrozen soil until cable holes. Filled soil must be tamped properly; afterwards cabling must be done. When cabling is finished construction pit should be filled with unfrozen soil until the top ground level. While filling pit with soil it should be properly tamped by each 300mm. While filling construction pit with soil and doing cabling make sure that foundation is not displaced and stand in straight vertical position.

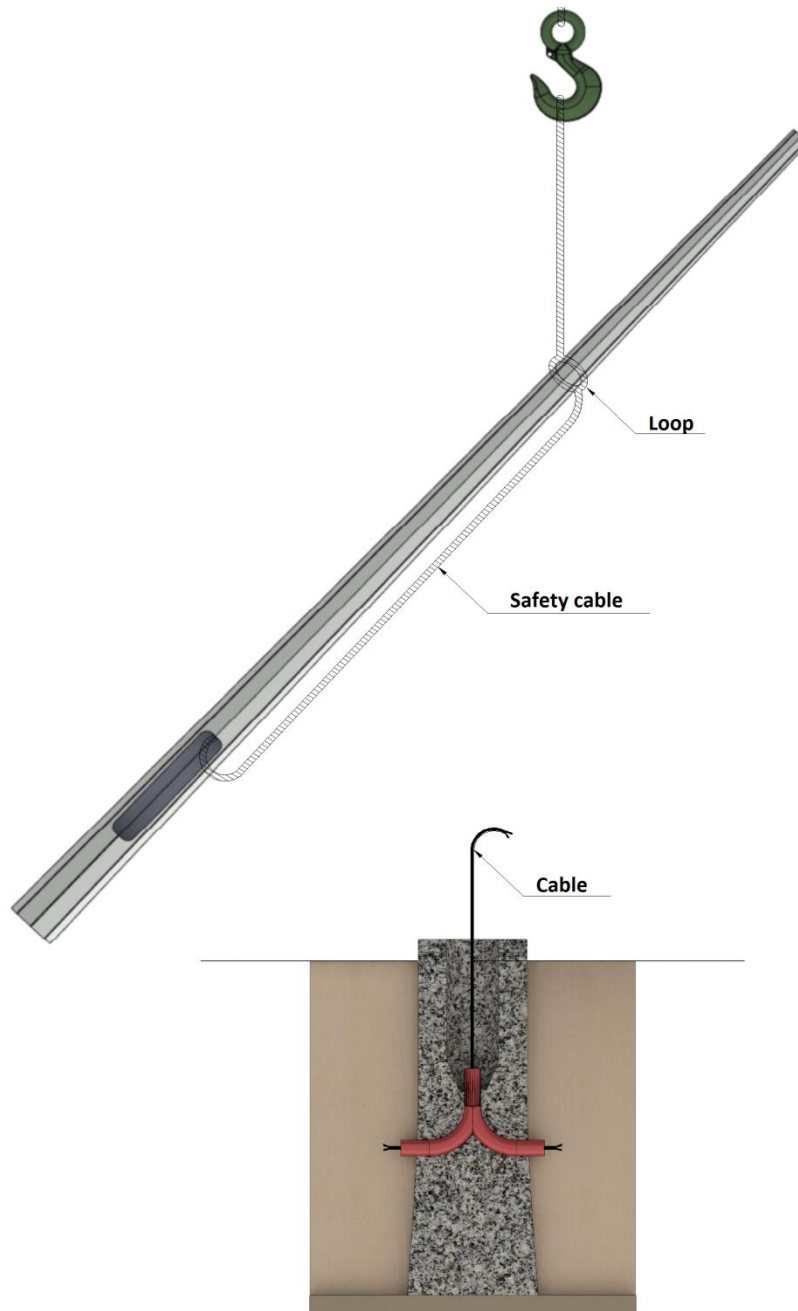


Picture Nr-1

S1- fixation/regulation screws; **S2-** foundation; **S3-** soil; **S4-** cable hole; **S5-** sand cushion

H1- foundation height depending on column; **H2-** 100mm; **H3-** 100mm

When soil around the concrete foundation is tamped, lighting column can be installed into foundation. While lifting lighting column make sure that lifting mechanisms doesn't affect protecting covering of lighting column. Installed lighting column must be fixed with screws. Screws must be tightened sequentially and gradually. While fixing column with screws make sure that pole is installed in straight vertical position. Column vertical position can be regulated with fixing screws. Gap between column and concrete foundation should be closed with rubber cushion.



Picture Nr-2

When columns are installed they should be grounded by attaching PEN cable to the grounding plate (Picture Nr-3). If column is with bracket arm it should be regulated in vertical position and fixed with 6pcs screws on pole top (Picture Nr-4). Screws must be tightened gradually and sequentially.



Picture Nr-3



Picture Nr-4