

YUMA

Floodlights and
pendant light fixtures
in 316L stainless steel

LIGHTING



Palazzoli

YUMA



The series

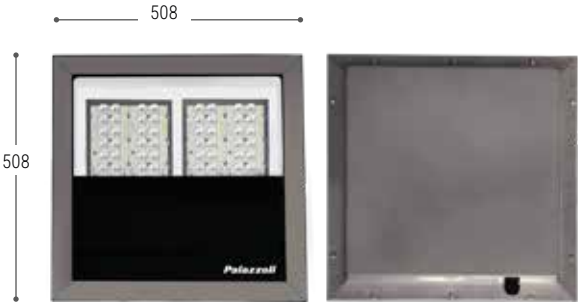
Range of floodlights designed to offer the best solutions in industrial and marine environments. The body is made of stainless steel to ensure resistance and durability even in harsh marine environments. The diffuser is made of 4 mm thick flat extra-clear glass, tempered to withstand impacts and UV rays. The YUMA range delivers light intensities of up to 24,000 lumens, with an efficiency of up to 130 lm/W. The asymmetric and symmetric optics allow for optimal lighting designs for areas beneath the product. The internal driver is protected from weather, salty atmosphere, and UV rays. In the industrial version, floodlights for outdoor lighting in coastal areas and pendants for illuminating indoor environments at risk of severe corrosion are available. In the marine range, the floodlights feature specific technical solutions such as painted AISI 316L stainless steel to allow product installation in outdoor areas on cruise ships in constant contact with the salty atmosphere. The connection of industrial products is made through a quick connector, while the marine range has a dedicated solution with a junction box. YUMA is compatible with the DALI protocol and can be integrated into control systems for device management.



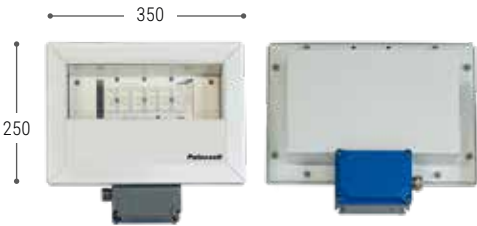
YUMA M



YUMA L



YUMA-NAVE S



YUMA-NAVE M



The range

YUMA SIZE M
floodlights

YUMA SIZE L
floodlights

YUMA SIZE L
pendant light fixtures

YUMA-NAVE SIZE S
floodlights

YUMA-NAVE SIZE M
floodlights



→ Page 9



→ Page 10



→ Page 12



→ Page 17



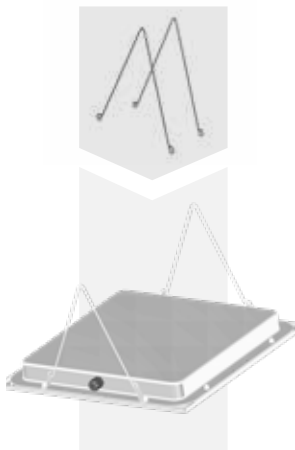
→ Page 19

Nominal flux	11544 lm to 15288 lm	23088 lm to 30576 lm	23088 lm to 30576 lm	3840 lm to 7350 lm	11100 lm to 14700 lm
Output flux	9620 lm to 12740 lm	19240 lm to 25480 lm	19240 lm to 25480 lm	3200 lm to 6125 lm	9250 lm to 12250 lm
Power	up to 98 W	up to 196 W	up to 196 W	up to 49 W	up to 98 W
Efficacy	130 lm/W	130 lm/W	130 lm/W	128 lm/W	125 lm/W
Control systems	On - off	On - off	DALI	On - off	On - off
Versions	Standard	Standard	Standard	Standard	Standard
Optics	Asymmetrical 23° extra wide beam Asymmetrical 50° extra wide beam Asymmetrical 55° narrow beam	Asymmetrical 23° extra wide beam Asymmetrical 50° extra wide beam Asymmetrical 55° narrow beam	Symmetrical 81° extra wide beam Symmetrical 55° medium beam Symmetrical 36° narrow beam 95° x 41° elliptical beam	Symmetrical 81° extra wide beam Symmetrical 55° medium beam Symmetrical 36° narrow beam Symmetrical 15° narrow beam	Symmetrical 81° extra wide beam Symmetrical 55° medium beam Symmetrical 36° narrow beam Symmetrical 15° narrow beam

Fastening systems

ADJUSTABLE BRACKET

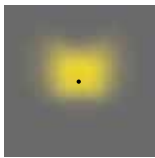
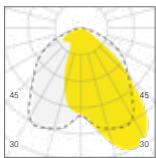
PENDANT MOUNTING



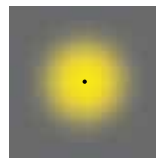
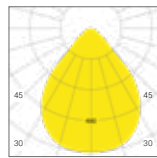


Non-ageing UV-resistant PMMA lenses with > 90% efficiency and > 95% transparency

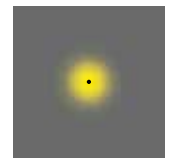
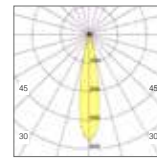
Optics



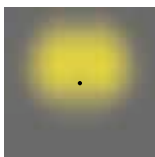
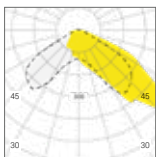
Asymmetrical 23° extra wide beam



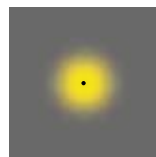
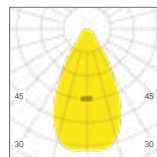
Symmetrical 81° extra wide beam



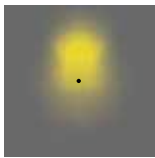
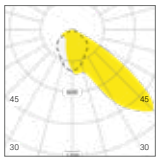
Symmetrical 15° narrow beam



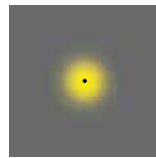
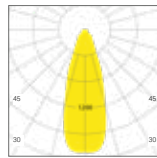
Asymmetrical 50° extra wide beam



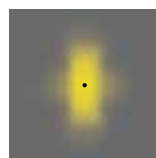
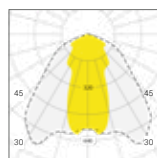
Symmetrical 55° medium beam



Asymmetrical 55° narrow beam



Symmetrical 36° narrow beam



95° x 41° elliptical beam



HIT

HIT

HIT

54

HWA

SWL 35Te

BANY

56

SWL 40

66

WAN HAI

Industry



Floodlights and pendant light fixtures

Industrial interiors

Outdoor areas

Coastal areas

Hangars

Ports

Shipyards



YUMA

9620 lm to 25480 lm
Page 8



YUMA

19240 lm to 25480 lm
Page 11

YUMA floodlight



Body material	AISI 316L stainless steel
Surface treatment	Natural finish
Diffuser material	Extra clear tempered glass
Protection rating	IP66 as per IEC 60598-1
Impact resistance	IK08 according to IEC/EN 62262
Corrosion class	C5-H (ISO 9223)
Mounting system	U bracket with adjustment
Ambient operating temperature	-30 °C - +50 °C
Ambient storage temperature	-40 °C - +70 °C
Actual efficacy of the device	130 lm/W
Colour temperature	4000 K
Optics features	Non-ageing, UV-resistant PMMA lenses with >90% efficiency and >95% transparency
Colour rendering index values	CRI ≥ 70 according to EN 62717
Colour consistency	MacAdam 4-step
Photobiological risk	RG0 - Exempt Group (EN 62471)
Residual flicker	< 1%
Luminous flux maintenance	L90 B10 @ 110.000h Tq= +50 °C L90 B10 @ 230.000h Tq= +25 °C
Insulation class	I
Supply voltage	220-240V 50/60 Hz
Surge protection	10 kV common mode 6 kV differential mode (EN 61000-4-5)
Power factor	≥ 0,95
Type of power supply	Quick coupling connector
Max. conductor cross-section	1 ÷ 2,5 mm ²
Entry cable diameter	7 ÷ 13 mm

**WARRANTY**

2 YEARS OPTIONALLY EXTENDABLE TO 7

**DIRECTIVES**

2014/30/UE (EMC)
2014/35/UE (LVD)
2011/65/UE (RoHS)
2012/19/UE (RAEE)
2009/125/CE (ERP)
Reg. UE 2019/2020 (EcoDesign)

PRODUCT STANDARDS

EN 55015
EN 60598-1
EN 60598-2-1
EN 60598-2-5
EN 60598-2-22
EN 60598-2-24
EN 61000-3-2
EN 61000-3-3
EN 61547
EN 62311
EN 62493
EN 62471
IEC TR 62778
EN 63000

Special versions with symmetric optics and color temperatures ranging from 3000K to 6500K can be produced.

YUMA floodlight | size M

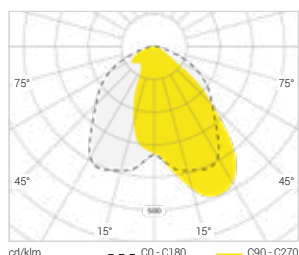
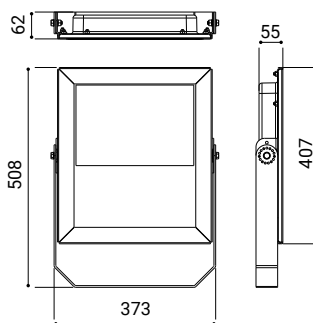


Flicker
<1%

Class
I

IP66

IK08

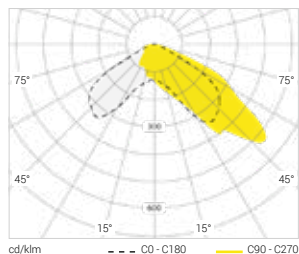


Asymmetrical 23° extra wide beam

Included: wall bracket.
Power supply with 5Px1.5mm² quick connector and 1.5mm² H07RN-F cable.
The stated flux and power values may be subject to a +/- 7% tolerance.



No. of LEDs	Power (W)	Nominal flux (lm)Tj=25 °C	Output flux (lm)Tq=25 °C	Diffuser	Efficacy (lm/W)	Max. ambient temperature (°C)	Version	Weight (kg)	Code
24	74	11544	9620	Glass	130	+50	On-off	5,5	807232
24	98	15288	12740	Glass	130	+50	On-off	5,5	807242

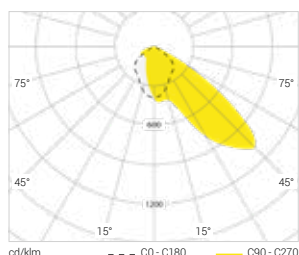


Asymmetrical 50° extra wide beam

Included: wall bracket.
Power supply with 5Px1.5mm² quick connector and 1.5mm² H07RN-F cable.
The stated flux and power values may be subject to a +/- 7% tolerance.



No. of LEDs	Power (W)	Nominal flux (lm)Tj=25 °C	Output flux (lm)Tq=25 °C	Diffuser	Efficacy (lm/W)	Max. ambient temperature (°C)	Version	Weight (kg)	Code
24	74	11544	9620	Glass	130	+50	On-off	5,5	807237
24	98	15288	12740	Glass	130	+50	On-off	5,5	807247



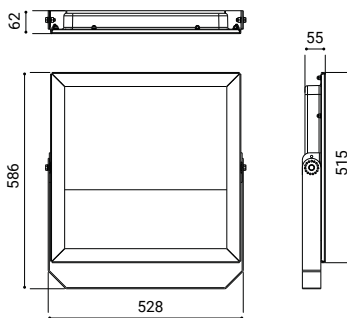
Asymmetrical 55° narrow beam

Included: wall bracket.
Power supply with 5Px1.5mm² quick connector and 1.5mm² H07RN-F cable.
The stated flux and power values may be subject to a +/- 7% tolerance.



No. of LEDs	Power (W)	Nominal flux (lm)Tj=25 °C	Output flux (lm)Tq=25 °C	Diffuser	Efficacy (lm/W)	Max. ambient temperature (°C)	Version	Weight (kg)	Code
24	74	11544	9620	Glass	130	+50	On-off	5,5	807235
24	98	15288	12740	Glass	130	+50	On-off	5,5	807245

YUMA floodlight | size L

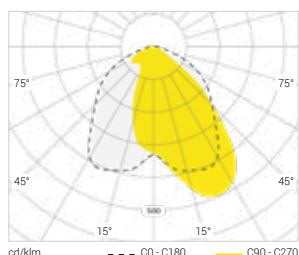


Flicker
<1%

Class
I

IP66

IK08

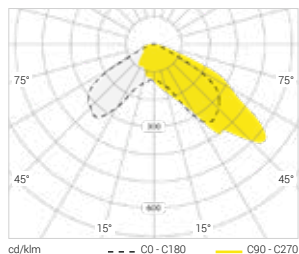


Asymmetrical 23° extra wide beam

Included: wall bracket.
Power supply with 5Px1.5mm² quick connector and 1.5mm² H07RN-F cable.
The stated flux and power values may be subject to a +/- 7% tolerance.

+45°C
-30°C

No. of LEDs	Power (W)	Nominal flux (lm) Tj=25 °C	Output flux (lm) Tq=25 °C	Diffuser	Efficacy (lm/W)	Max. ambient temperature (°C)	Version	Weight (kg)	Code
48	148	23088	19240	Glass	130	+45	On-off	9,00	807352
48	196	30576	25480	Glass	130	+40	On-off	9,00	807362

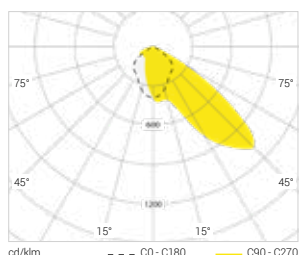


Asymmetrical 50° extra wide beam

Included: wall bracket.
Power supply with 5Px1.5mm² quick connector and 1.5mm² H07RN-F cable.
The stated flux and power values may be subject to a +/- 7% tolerance.

+45°C
-30°C

No. of LEDs	Power (W)	Nominal flux (lm) Tj=25 °C	Output flux (lm) Tq=25 °C	Diffuser	Efficacy (lm/W)	Max. ambient temperature (°C)	Version	Weight (kg)	Code
48	148	23088	19240	Glass	130	+45	On-off	9,00	807357
48	196	30576	25480	Glass	130	+40	On-off	9,00	807367



Asymmetrical 55° narrow beam

Included: wall bracket.
Power supply with 5Px1.5mm² quick connector and 1.5mm² H07RN-F cable.
The stated flux and power values may be subject to a +/- 7% tolerance.

+45°C
-30°C

No. of LEDs	Power (W)	Nominal flux (lm) Tj=25 °C	Output flux (lm) Tq=25 °C	Diffuser	Efficacy (lm/W)	Max. ambient temperature (°C)	Version	Weight (kg)	Code
48	148	23088	19240	Glass	130	+45	On-off	9,00	807355
48	196	30576	25480	Glass	130	+40	On-off	9,00	807365

YUMA pendant mounting



WARRANTY
2 YEARS OPTIONALLY EXTENDABLE TO 7



DIRECTIVES

2014/30/UE (EMC)
2014/35/UE (LVD)
2011/65/UE (RoHS)
2012/19/UE (RAEE)
2009/125/CE (ERP)
Reg. UE 2019/2020 (EcoDesign)

PRODUCT STANDARDS

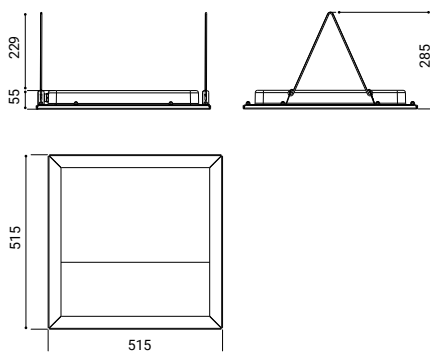
EN 55015
EN 60598-1
EN 60598-2-1
EN 60598-2-5
EN 60598-2-22
EN 60598-2-24
EN 61000-3-2
EN 61000-3-3
EN 61547
EN 62311
EN 62493
EN 62471
IEC TR 62778
EN 63000

Body material	AISI 316L stainless steel
Surface treatment	Natural finish
Diffuser material	Extra clear tempered glass
Protection rating	IP66 as per IEC 60598-1
Impact resistance	IK08 according to IEC/EN 62262
Corrosion class	C5-H (ISO 9223)
Mounting system	Pendant mounting
Ambient operating temperature	-30 °C - +45 °C
Ambient storage temperature	-40 °C - +70 °C
Actual efficacy of the device	130 lm/W
Colour temperature	4000 K
Optics features	Non-ageing, UV-resistant PMMA lenses with >90% efficiency and >95% transparency
Colour rendering index values	CRI ≥ 80 according to EN 62717
Colour consistency	MacAdam 4-step
Photobiological risk	RG0 - Exempt Group (EN 62471)
Residual flicker	< 1%
Luminous flux maintenance	L90 B10 @ 110.000h Tq= +45 °C L90 B10 @230.000h Tq=+25° C
Insulation class	I
Supply voltage	220-240V 50/60 Hz
Surge protection	10 kV common mode 6 kV differential mode (EN 61000-4-5)
Power factor	≥ 0,95
Type of power supply	Quick coupling connector
Max. conductor cross-section	1 ÷ 2,5 mm ²
Entry cable diameter	7 ÷ 13 mm

Special versions with color temperatures ranging from 3000K to 6500K can be produced.



YUMA pendant mounting | size L

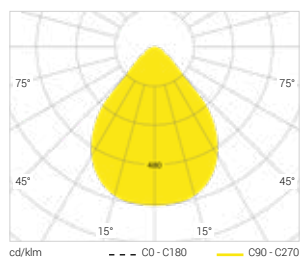


Flicker
<1%

Class
I

IP66

IK08

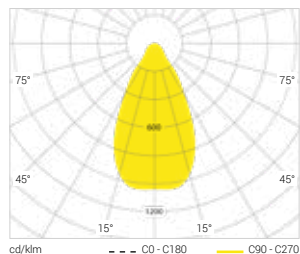


Symmetrical 81° extra wide beam

Included: suspension brackets for double chain and busbar. Power supply with 5P quick connector.
Recommended installation height: between 4 m and 7 m.
The stated flux and power values may be subject to a +/- 7% tolerance.



No. of LEDs	Power (W)	Nominal flux (lm) Tj=25 °C	Output flux (lm) Tq=25 °C	Diffuser	Efficacy (lm/W)	Max. ambient temperature (°C)	Version	Weight (kg)	Code
48	148	23088	19240	Glass	130	+45	DALI	8,5	808350DA
48	196	30576	25480	Glass	130	+40	DALI	8,5	808360DA



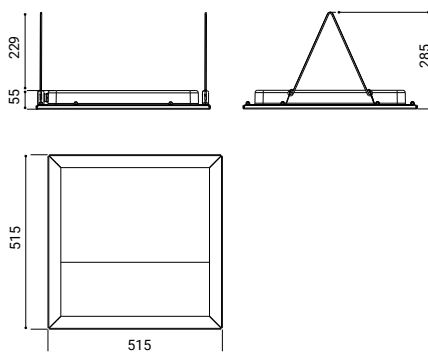
Symmetrical 55° medium beam

Included: suspension brackets for double chain and busbar. Power supply with 5P quick connector.
Recommended installation height: between 5 m and 8 m.
The stated flux and power values may be subject to a +/- 7% tolerance.



No. of LEDs	Power (W)	Nominal flux (lm) Tj=25 °C	Output flux (lm) Tq=25 °C	Diffuser	Efficacy (lm/W)	Max. ambient temperature (°C)	Version	Weight (kg)	Code
48	148	23088	19240	Glass	130	+45	DALI	8,5	808356DA
48	196	30576	25480	Glass	130	+40	DALI	8,5	808366DA

YUMA pendant mounting | size L

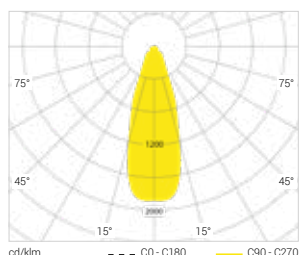


Flicker
<1%

Class
I

IP66

IK08

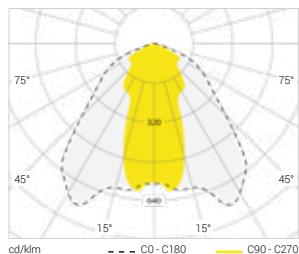


Symmetrical 36° narrow beam

Included: suspension brackets for double chain and busbar. Power supply with 5P quick connector.
Recommended installation height: over 6 m.
The stated flux and power values may be subject to a +/- 7% tolerance.



No. of LEDs	Power (W)	Nominal flux (lm) Tj=25 °C	Output flux (lm) Tq=25 °C	Diffuser	Efficacy (lm/W)	Max. ambient temperature (°C)	Version	Weight (kg)	Code
48	148	23088	19240	Glass	130	+45	DALI	8,5	808351DA
48	196	30576	25480	Glass	130	+40	DALI	8,5	808361DA



95° x 41° elliptical beam

Included: suspension brackets for double chain and busbar. Power supply with 5P quick connector.
Recommended installation: suitable for installation between the aisles of industrial warehouses.
The stated flux and power values may be subject to a +/- 7% tolerance.



No. of LEDs	Power (W)	Nominal flux (lm) Tj=25 °C	Output flux (lm) Tq=25 °C	Diffuser	Efficacy (lm/W)	Max. ambient temperature (°C)	Version	Weight (kg)	Code
48	148	23088	19240	Glass	130	+45	DALI	8,5	808358DA
48	196	30576	25480	Glass	130	+40	DALI	8,5	808368DA



Marine



Floodlights

Cruise ships

Military vessels

Ferries

Cargo ships

Offshore platforms

Submarines



YUMA-NAVE

3200 lm to 12250 lm

Page 16

YUMA-NAVE floodlight



Body material	AISI 316L stainless steel
Surface treatment	Non-toxic polyester, anti UV, kiln-polymerised coating
Color	White RAL 9016
Diffuser material	Extra clear tempered glass
Protection rating	IP66 as per IEC 60598-1
Impact resistance	IK08 according to IEC/EN 62262
Corrosion class	C5-H (ISO 9223)
Mounting system	U bracket with adjustmen
Ambient operating temperature	-30 °C - +50 °C
Ambient storage temperature	-40 °C - +70 °C
Actual efficacy of the device	Up to 128 lm/W
Colour temperature	4000 K
Optics features	Non-ageing, UV-resistant PMMA lenses with >90% efficiency and >95% transparency
Colour rendering index values	CRI ≥ 90 according to EN 62717
Colour consistency	MacAdam 3-step
Photobiological risk	RG0 - Exempt Group (EN 62471)
Residual flicker	< 1%
Luminous flux maintenance	L90 B10 @ 110.000h Tq= +50 °C L90 B10 @ 230.000h Tq= +25 °C
Insulation class	I
Supply voltage	220-240V 50/60 Hz
Surge protection	10 kV common mode 6 kV differential mode (EN 61000-4-5)
Power factor	≥ 0,95
Type of power supply	Junction box with M20 cable gland
Max. conductor cross-section	2,5 mm ²
Entry cable diameter	7 ÷ 13 mm

**WARRANTY**

2 YEARS OPTIONALLY EXTENDABLE TO 7

**DIRECTIVES**

2014/30/UE (EMC)
2014/35/UE (LVD)
2011/65/UE (RoHS)
2012/19/UE (RAEE)
2009/125/CE (ERP)
Reg. UE 2019/2020 (EcoDesign)

PRODUCT STANDARDS

EN 55015
EN 60598-1
EN 60598-2-1
EN 60598-2-5
EN 60598-2-22
EN 60598-2-24
EN 61000-3-2
EN 61000-3-3
EN 61547
EN 62311
EN 62493
EN 62471
IEC TR 62778
EN 63000

Special versions with asymmetric optics and color temperatures ranging from 3000K to 6500K can be produced.

RESISTANCE TO CHEMICAL AGENTS AND ATMOSPHERIC CONDITIONS



316L stainless steel is known for its corrosion resistance, making it ideal for the marine sector.

The YUMA floodlight is capable of withstanding weather conditions, moisture, and salt spray without suffering damage over time.

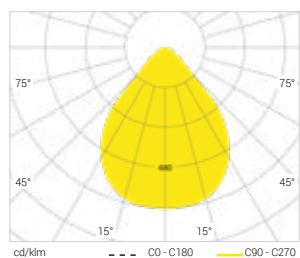
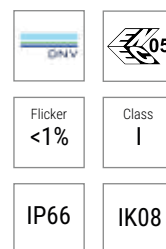
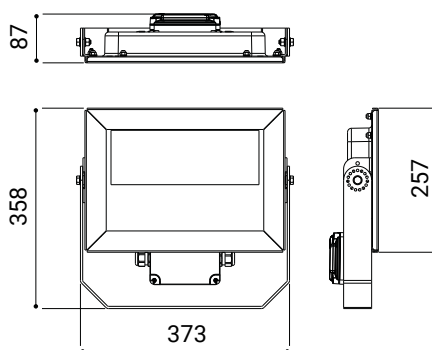


316L stainless steel

WATER	SALINE SOLUTION	ACIDS		BASES		SOLVENTS			
		CONCENTRATED	DILUTED	CONCENTRATED	DILUTED	ALCOHOL	ACETONE	PERCHLOROETHYLENE	BENZENE
↑	↑	↑	↑	↑	↑	↑	↑	↑	↑
OILS		FATS		AMMONIA	OXIDISERS	INORGANIC SALTS	GASOLINE	DETERGENTS	U.V. RAYS
MINERAL	VEGETABLE	ANIMAL	SYNTHETIC						
↑	↑	↑	↑	↑	↑	↑	↑	↑	↑



YUMA-NAVE floodlight | size S



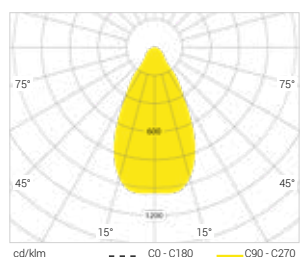
Symmetrical 81° extra wide beam

Included: 2 terminal blocks 2P+E for supply line entry/exit.
2 cable glands M20 and 1 nickel-plated brass cap M20.
The stated flux and power values may be subject to a +/- 7% tolerance.

AISI 316L stainless steel



No. of LEDs	Power (W)	Nominal flux (lm)Tj=25 °C	Output flux (lm)Tq=25 °C	Diffuser	Efficacy (lm/W)	Version	Weight (kg)	Code
12	25	3840	3200	Glass	128	On-off	5,00	809114
12	49	7350	6125	Glass	125	On-off	5,00	809124



Symmetrical 55° medium beam

Included: 2 terminal blocks 2P+E for supply line entry/exit.
2 cable glands M20 and 1 nickel-plated brass cap M20.
The stated flux and power values may be subject to a +/- 7% tolerance.

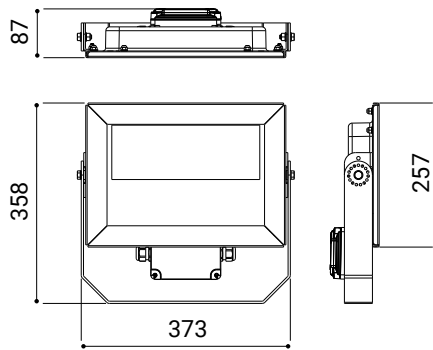
AISI 316L stainless steel



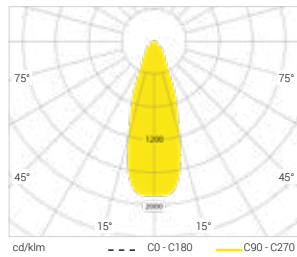
No. of LEDs	Power (W)	Nominal flux (lm)Tj=25 °C	Output flux (lm)Tq=25 °C	Diffuser	Efficacy (lm/W)	Version	Weight (kg)	Code
12	25	3840	3200	Glass	128	On-off	5,00	809116
12	49	7350	6125	Glass	125	On-off	5,00	809126



YUMA-NAVE floodlight | size S



Flicker <1%	Class I
IP66	IK08



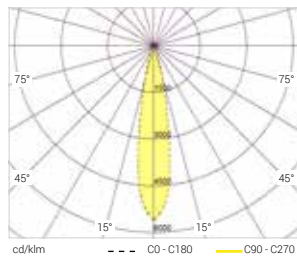
Symmetrical 36° narrow beam

Included: 2 terminal blocks 2P+E for supply line entry/exit.
2 cable glands M20 and 1 nickel-plated brass cap M20.
The stated flux and power values may be subject to a +/- 7% tolerance.

AISI 316L stainless steel



No. of LEDs	Power (W)	Nominal flux (lm) Tj=25 °C	Output flux (lm) Tq=25 °C	Diffuser	Efficacy (lm/W)	Version	Weight (kg)	Code
12	25	3840	3200	Glass	128	On-off	5,00	809111
12	49	7350	6125	Glass	125	On-off	5,00	809121



Symmetrical 15° narrow beam

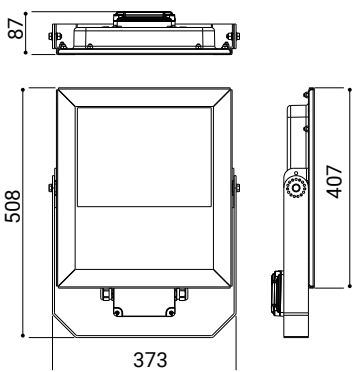
Included: 2 terminal blocks 2P+E for supply line entry/exit.
2 cable glands M20 and 1 nickel-plated brass cap M20.
The stated flux and power values may be subject to a +/- 7% tolerance.

AISI 316L stainless steel

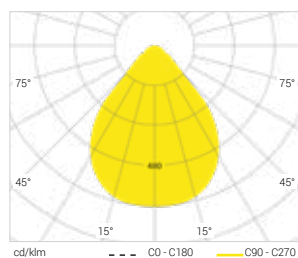


No. of LEDs	Power (W)	Nominal flux (lm) Tj=25 °C	Output flux (lm) Tq=25 °C	Diffuser	Efficacy (lm/W)	Version	Weight (kg)	Code
12	25	3840	3200	Glass	128	On-off	5,00	809119
12	49	7350	6125	Glass	125	On-off	5,00	809129

YUMA-NAVE floodlight | size M



Flicker <1%	Class I
IP66	IK08

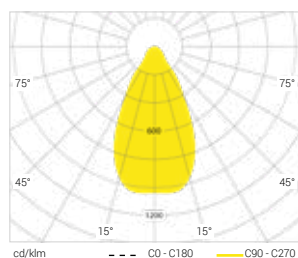


Symmetrical 81° extra wide beam

Included: 2 terminal blocks 2P+E for supply line entry/exit.
2 cable glands M20 and 1 nickel-plated brass cap M20.
The stated flux and power values may be subject to a +/- 7% tolerance.

AISI 316L stainless steel

No. of LEDs	Power (W)	Nominal flux (lm)Tj=25 °C	Output flux (lm)Tq=25 °C	Diffuser	Efficacy (lm/W)	Version	Weight (kg)	Code
24	74	11100	9250	Glass	125	On-off	6,00	809234
24	98	14700	12250	Glass	125	On-off	6,00	809244



Symmetrical 55° medium beam

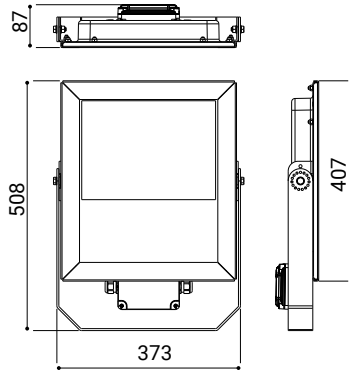
Included: 2 terminal blocks 2P+E for supply line entry/exit.
2 cable glands M20 and 1 nickel-plated brass cap M20.
The stated flux and power values may be subject to a +/- 7% tolerance.

AISI 316L stainless steel

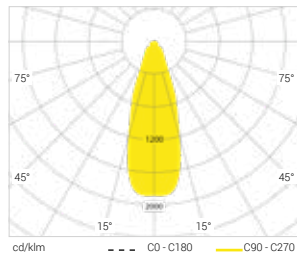
No. of LEDs	Power (W)	Nominal flux (lm)Tj=25 °C	Output flux (lm)Tq=25 °C	Diffuser	Efficacy (lm/W)	Version	Weight (kg)	Code
24	74	11100	9250	Glass	125	On-off	6,00	809236
24	98	14700	12250	Glass	125	On-off	6,00	809246



YUMA-NAVE floodlight | size M



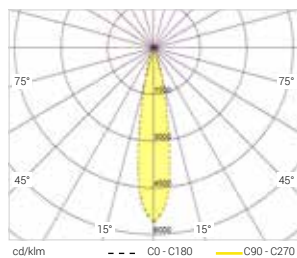
Flicker <1%	Class I
IP66	IK08



Symmetrical 36° narrow beam

Included: 2 terminal blocks 2P+E for supply line entry/exit.
2 cable glands M20 and 1 nickel-plated brass cap M20.
The stated flux and power values may be subject to a +/- 7% tolerance.

	No. of LEDs	Power (W)	Nominal flux (lm)Tj=25 °C	Output flux (lm)Tq=25 °C	Diffuser	Efficacy (lm/W)	Version	Weight (kg)	Code
AISI 316L stainless steel	24	74	11100	9250	Glass	125	On-off	6,00	809231
	24	98	14700	12250	Glass	125	On-off	6,00	809241



Symmetrical 15° narrow beam

Included: 2 terminal blocks 2P+E for supply line entry/exit.
2 cable glands M20 and 1 nickel-plated brass cap M20.
The stated flux and power values may be subject to a +/- 7% tolerance.

	No. of LEDs	Power (W)	Nominal flux (lm)Tj=25 °C	Output flux (lm)Tq=25 °C	Diffuser	Efficacy (lm/W)	Version	Weight (kg)	Code
AISI 316L stainless steel	24	74	11100	9250	Glass	125	On-off	6,00	809239
	24	98	14700	12250	Glass	125	On-off	6,00	809249



Customer focused operations

Smart engineering

Top Manufacture

Service excellence



Palazzoli S.p.a
Via F. Palazzoli, 31 - 25128 Brescia - Italy
Tel. +39 030 2015.1

palazzoli.com



Palazzoli

LUCE D'AUTORE